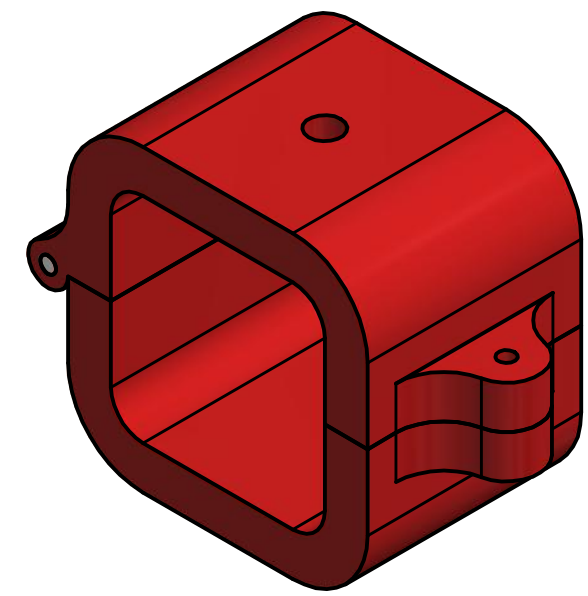
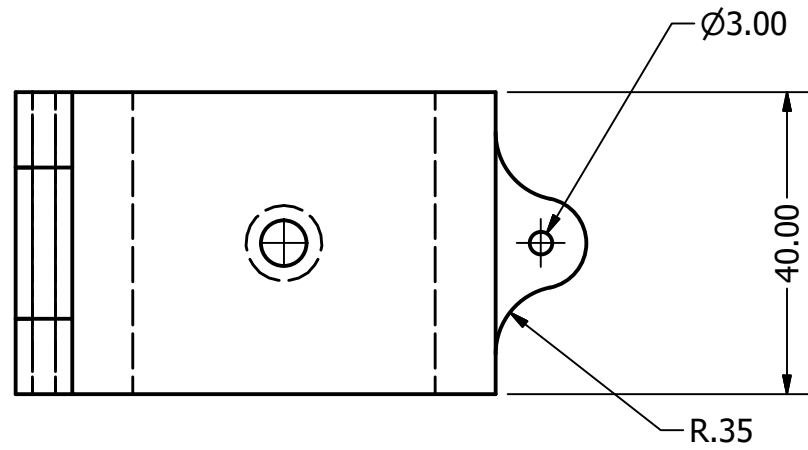


6 1 5 1 4 3 1 2 1 1

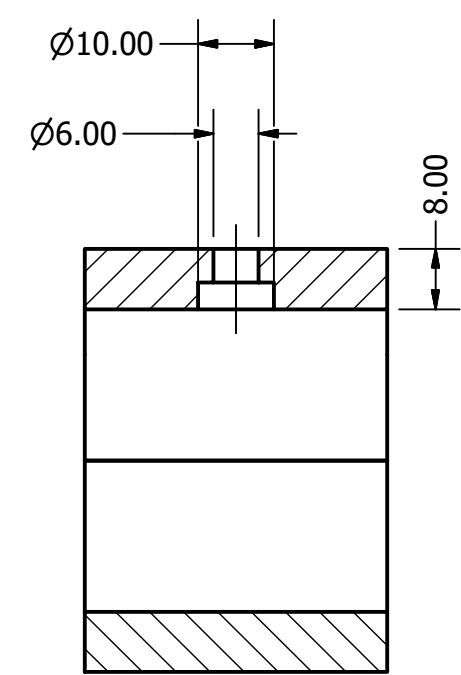
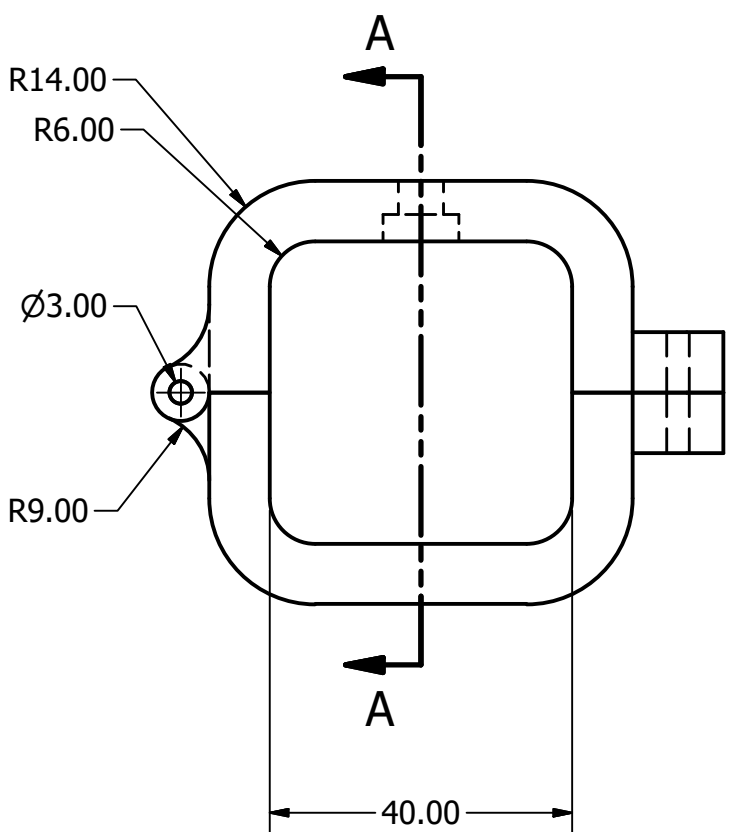
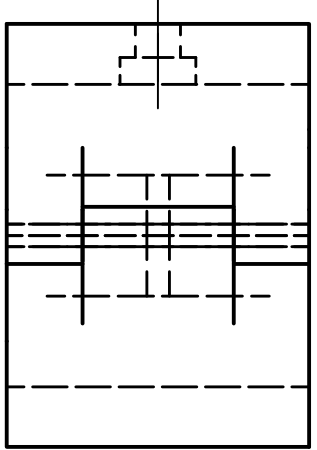
D

D



C

C



SECTION A-A
SCALE 1 : 1

B

B

A

A

DRAWN	carlovich	2020-10-10		
CHECKED			TITLE	
QA			Action Cam bike mount	
MFG				
APPROVED				
			SIZE	DWG NO
			A3	
			SCALE	REV
			1 : 1	
			SHEET 1 OF 1	

6 1 5 1 4 3 1 2 1 1