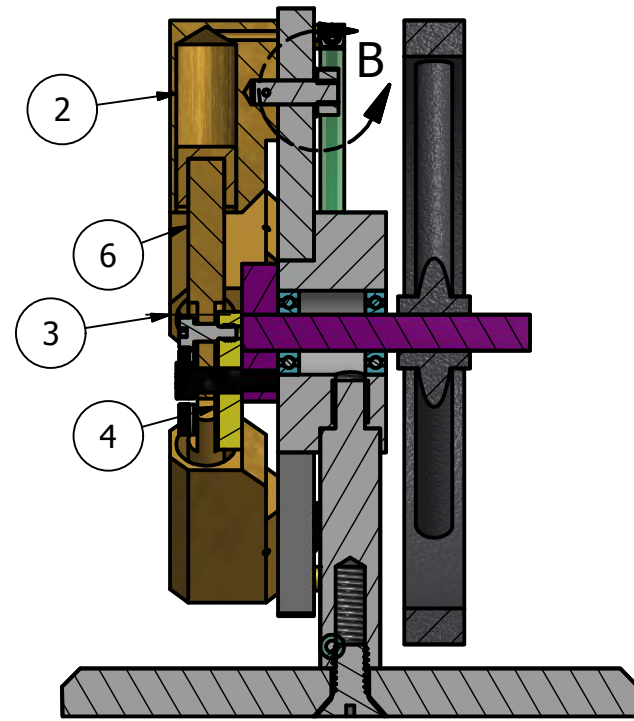
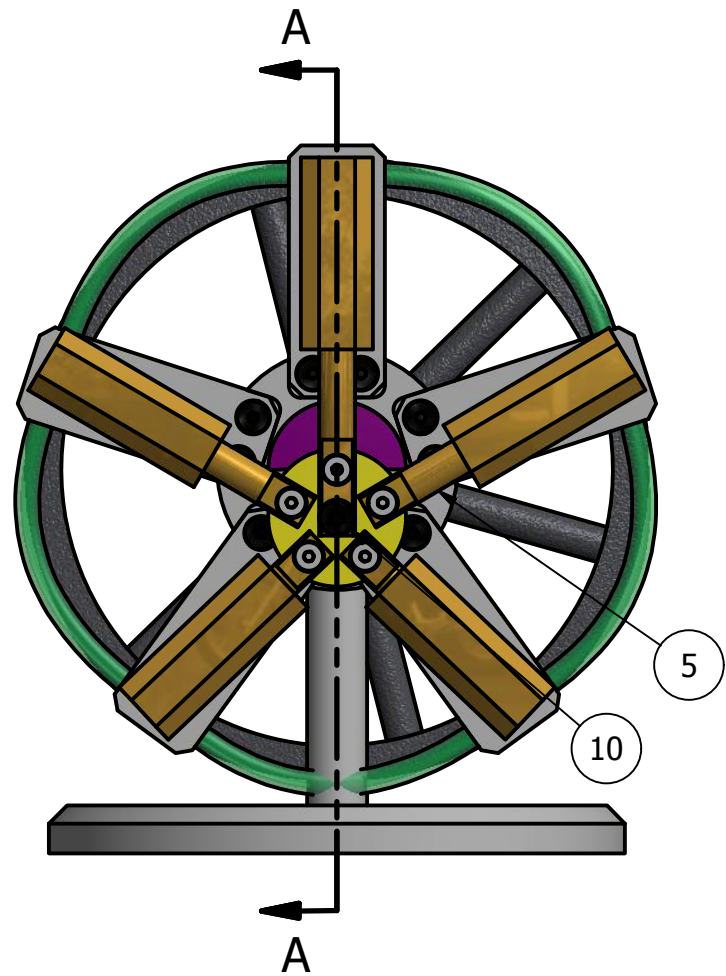
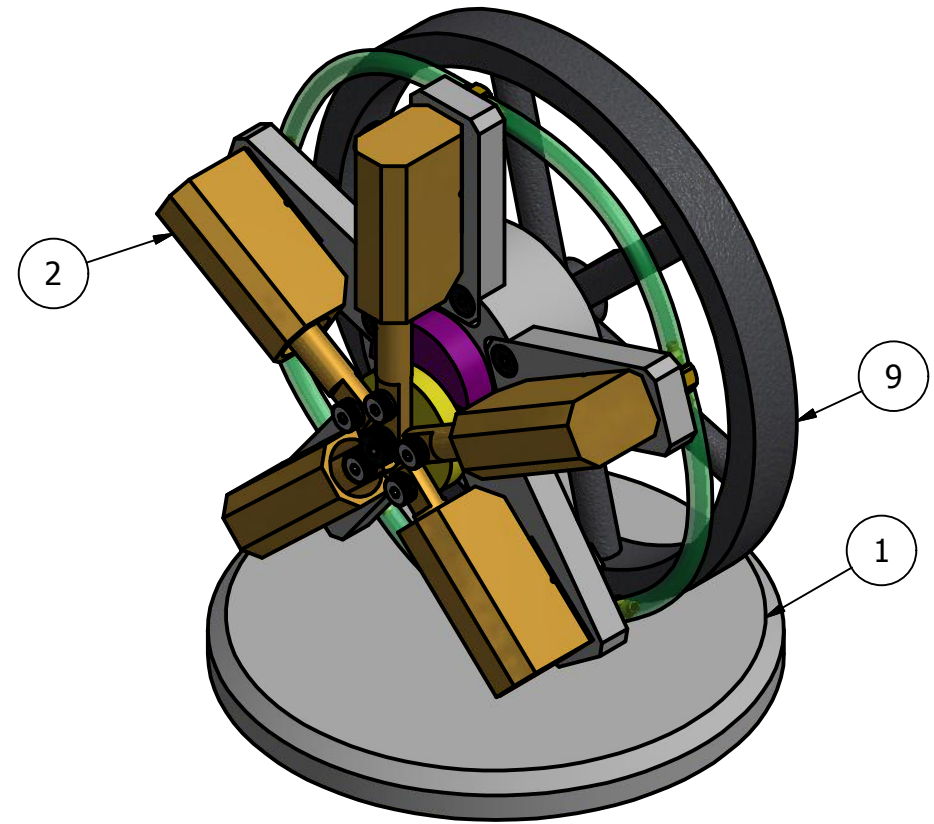


DETAIL B

PARTS LIST			
ITEM	QTY	PART NUMBER	DESCRIPTION
1	1	Assy - Frame	
2	5	Assy - Cylinder	
3	1	Assy - Crank	
4	1	Assy - Crank Plate	
5	4	Assy - Piston	
6	1	Assy - Piston - Master	
7	5	9714K270_WAVE DISC SPRING	
8	5	2500NHS	
9	1	Flywheel	MATERIAL: PM RESEARCH FWC-1CI
10	1	1_4 x 1_2 lg SHOULDER SCREW	



SECTION A-A
SCALE .5



DRAWN Rob	5/13/2017	TITLE		
CHECKED				
QA				
MFG				
APPROVED		SIZE B	DWG NO Assy - Engine	REV
		SCALE	SHEET 1 OF 1	