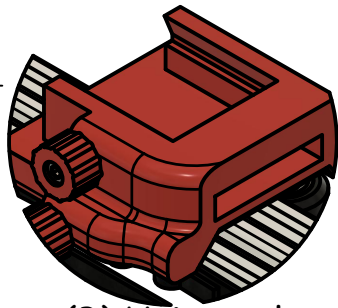
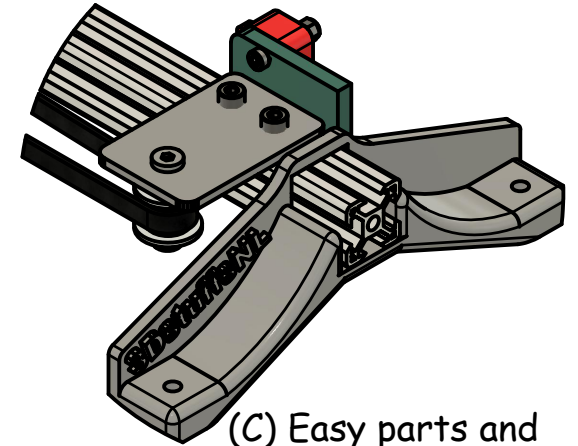
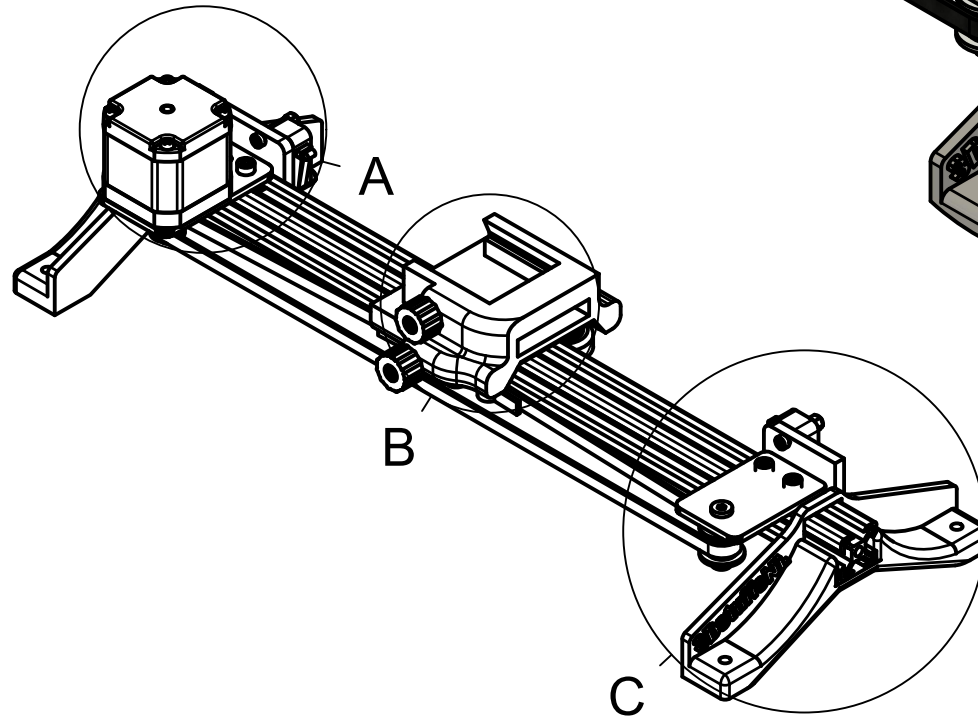


(A) Motorized slider



(B) Universal camera plate adapter



(C) Easy parts and assembly

Dept.	Technical reference	Created by E Adetutu	May 2017	Approved by	
		Document type		Document status	
		Title Camera Slider Open design		DWG No. 105	
		Rev. 1	Date of issue	Sheet 1/1	