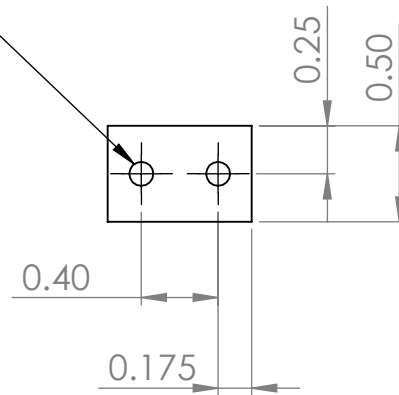


DRILL 1/8" HOLES BOTH ENDS
OF PART, 1.0" DEEP



MOUNT SUPPORT
SHEET 1 OF 1
SCALE = FULL - 2 PCS

LITHOPANE LAMP - BRITZ