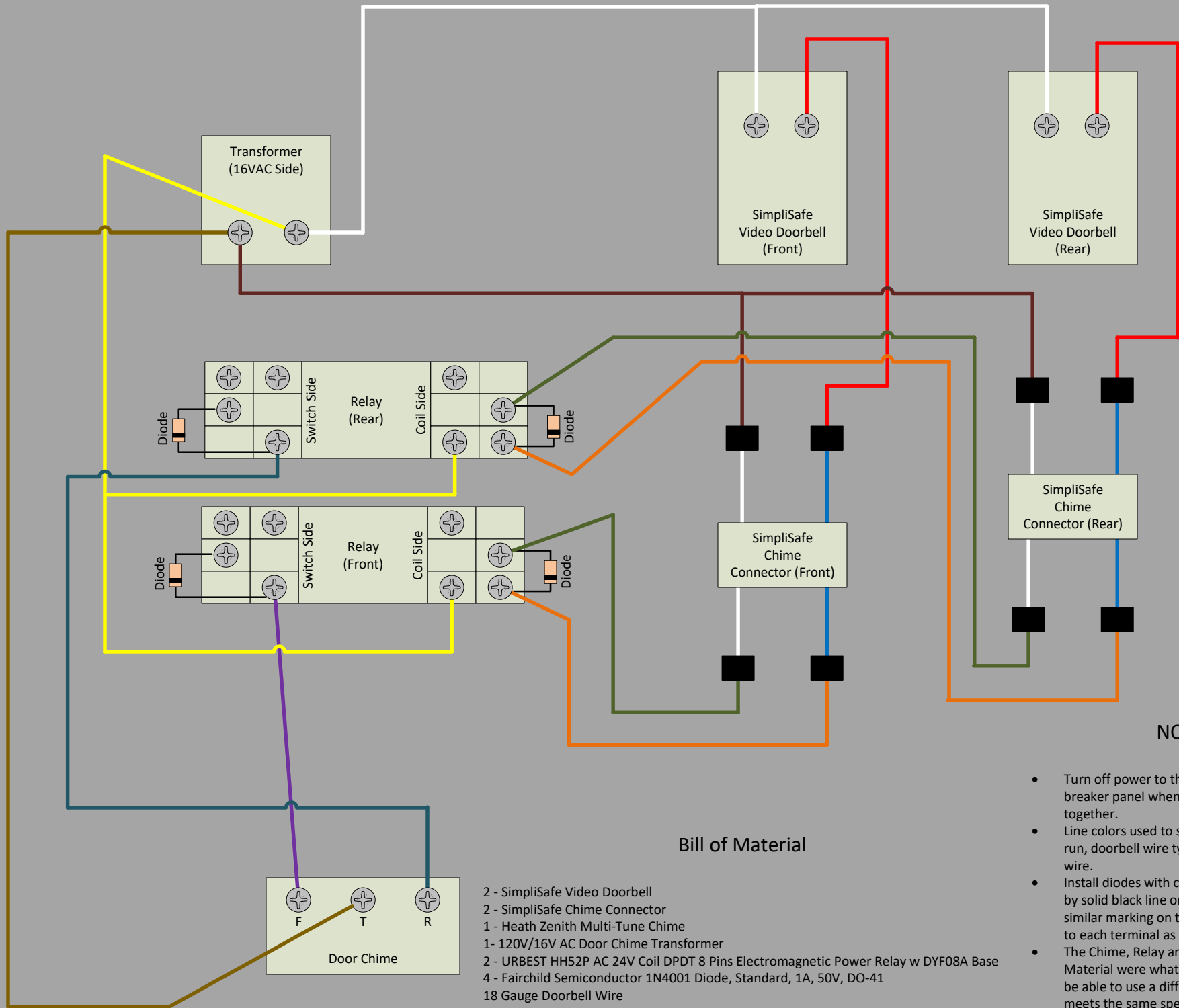


# SimpliSafe Video Doorbell to Digital Chime Wiring – 2 Video Doorbells



## Bill of Material

- 2 - SimpliSafe Video Doorbell
- 2 - SimpliSafe Chime Connector
- 1 - Heath Zenith Multi-Tune Chime
- 1- 120V/16V AC Door Chime Transformer
- 2 - URBEST HH52P AC 24V Coil DPDT 8 Pins Electromagnetic Power Relay w DYF08A Base
- 4 - Fairchild Semiconductor 1N4001 Diode, Standard, 1A, 50V, DO-41
- 18 Gauge Doorbell Wire

## NOTES

- Turn off power to the transformer at the breaker panel when wiring the components together.
- Line colors used to show each individual wire run, doorbell wire typically has a red and white wire.
- Install diodes with cathode end (represented by solid black line on the diode symbol and a similar marking on the actual diode) connected to each terminal as shown.
- The Chime, Relay and Diode listed in the Bill of Material were what I had on hand, you should be able to use a different item as long as it meets the same specifications.