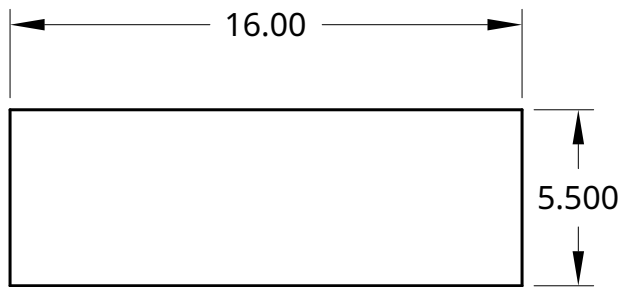


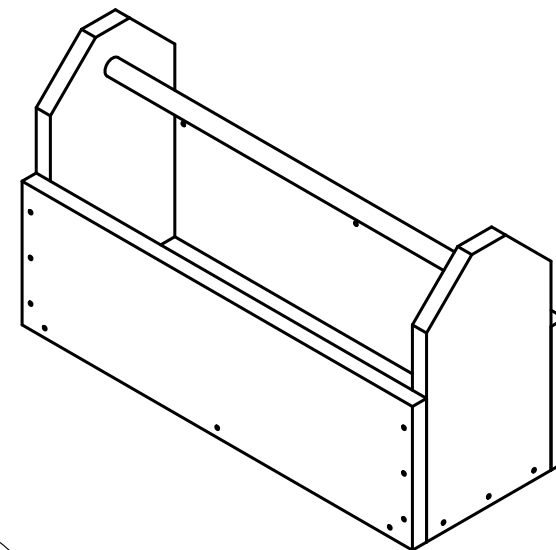
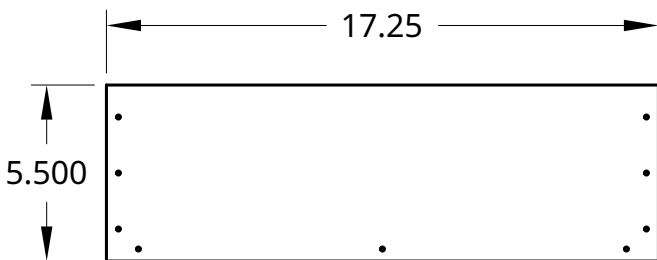
2

1

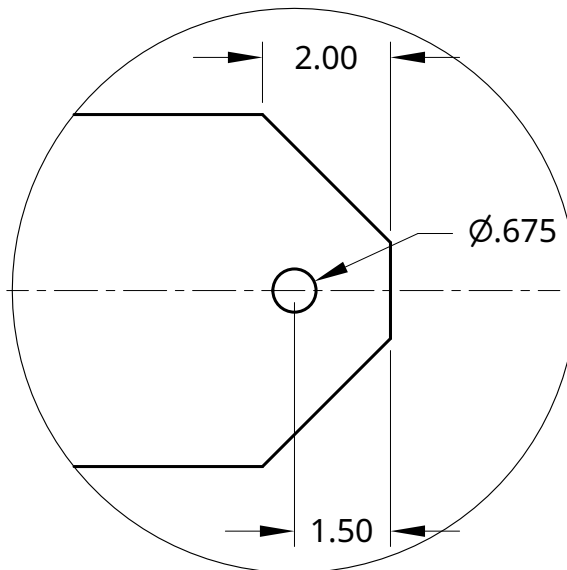
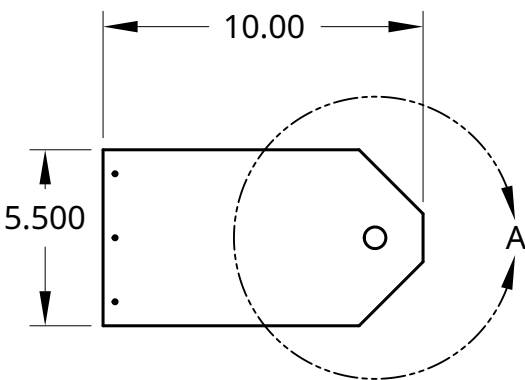
BOTTOM



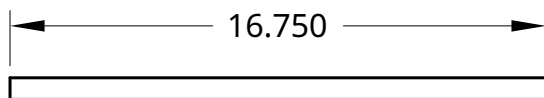
SIDE
2X



END
2X



DETAIL A
SCALE 1:3



HANDLE
USE $\frac{5}{8}$ IN DOWEL

UNLESS OTHERWISE SPECIFIED,
DIMENSIONS ARE IN INCHES

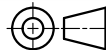
.XX = ±.0-
.XXX = ±.00-
.XXXX = ±.000-
ANGULAR = ±°
FRACTIONAL = ±

SURFACE FINISH

DO NOT SCALE DRAWING

BREAK ALL SHARP EDGES AND
REMOVE BURRS

THIRD ANGLE PROJECTION



NAME DATE

DRAWN PATRICK COX 10/13/2018

CHECKED

APPROVED

TITLE

CUB SCOUT TOOLBOX

SIZE A DWG NO. REV. 1

SCALE 1:6 WEIGHT SHEET 1 of 1

2

1

B

A