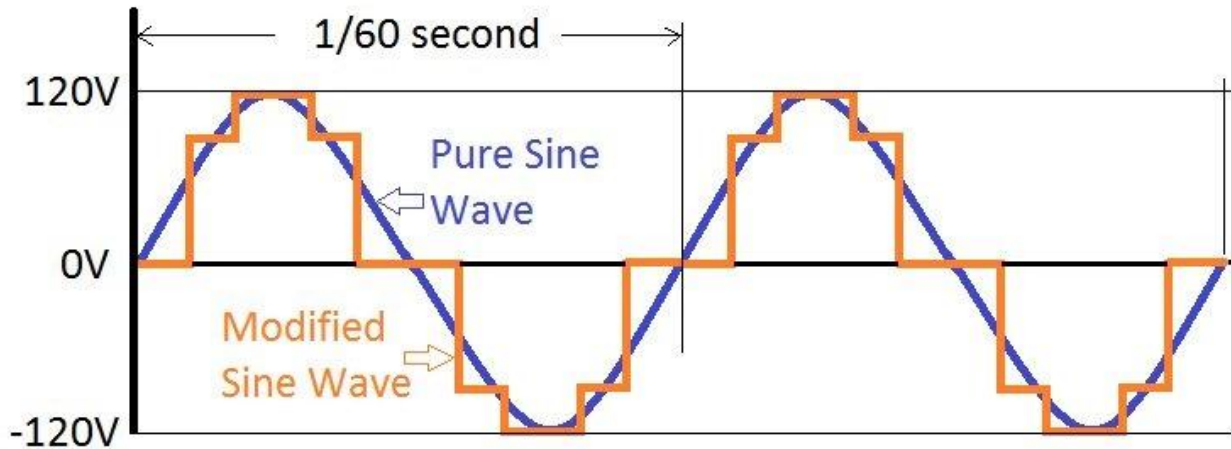


# ساخت اظورتر سینوسی ساده:

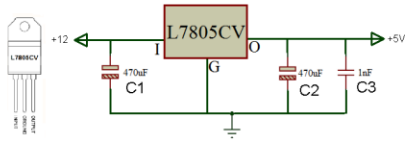
## Simple Pure Sine Wave Inverter:



[WWW.ECA.IR](http://WWW.ECA.IR)

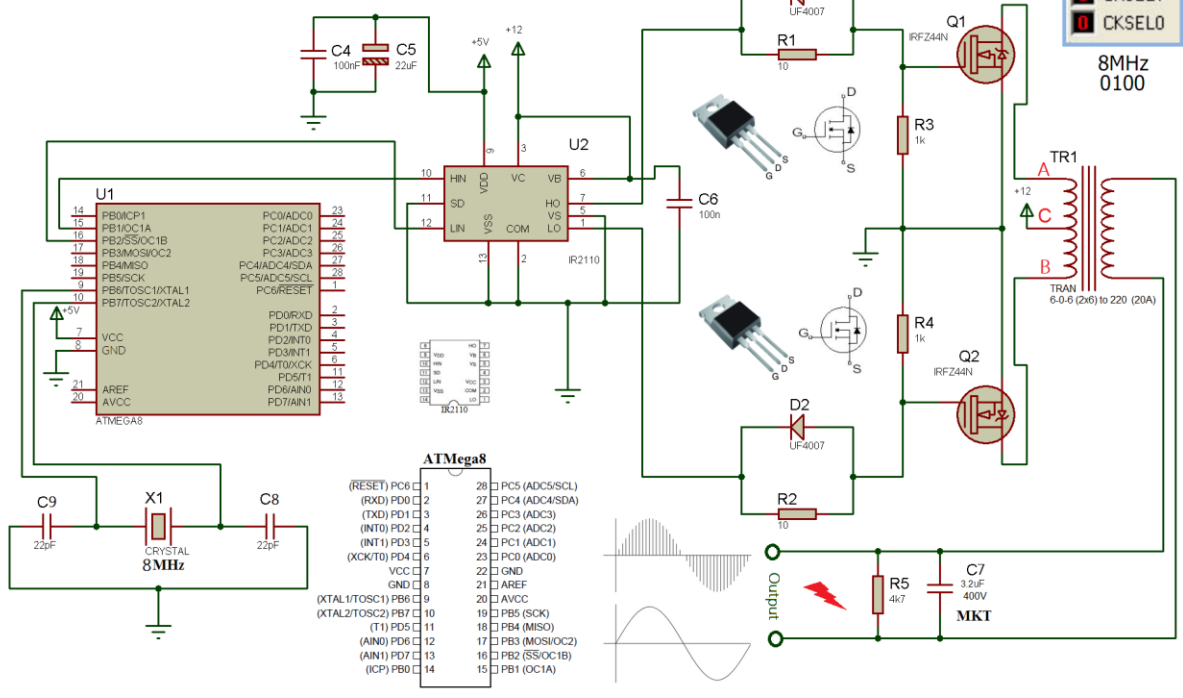
By: Sina Abdemanafi (Sina1359)

<https://www.eca.ir/forums/thread42260.html>



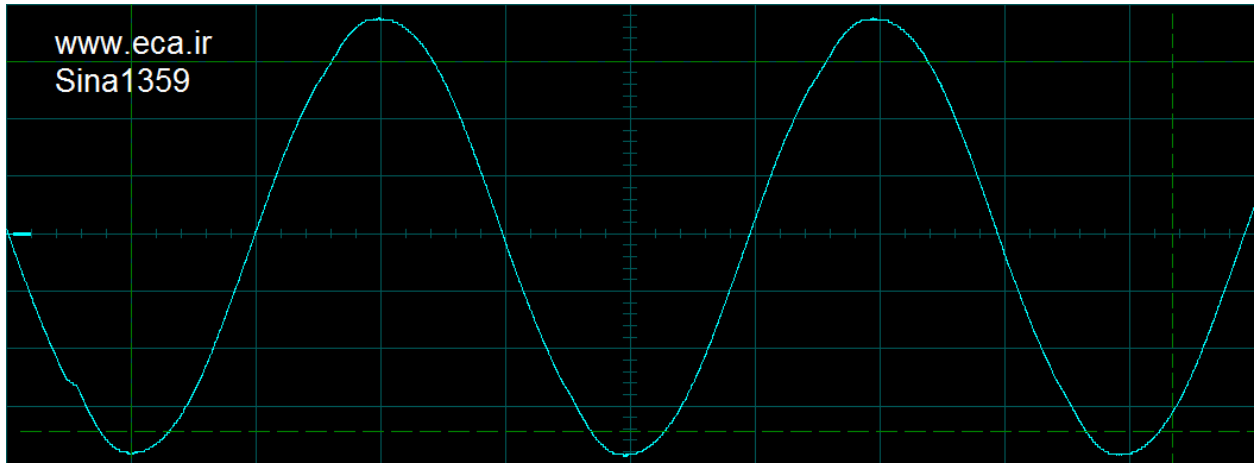
www.eca.ir  
Sina1359

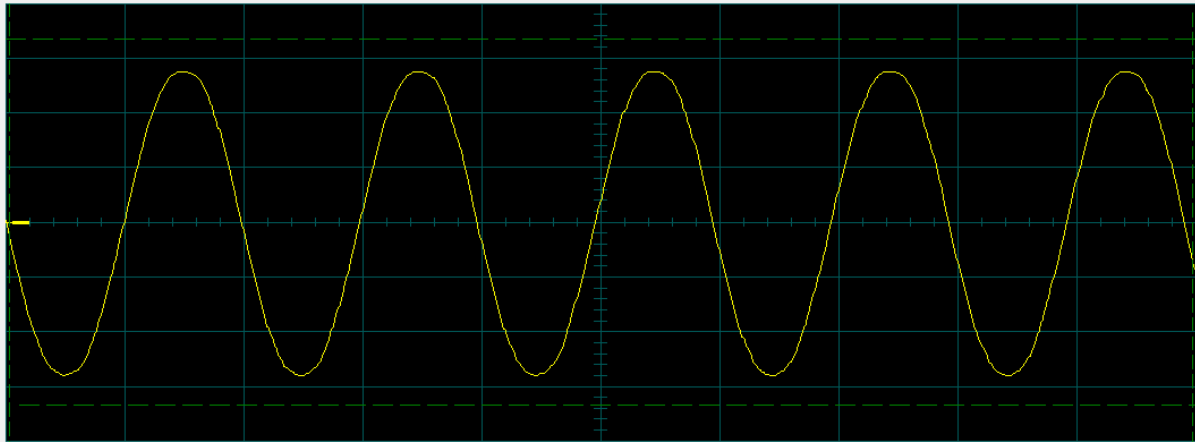
- CKSEL3
- CKSEL2
- CKSEL1
- CKSEL0



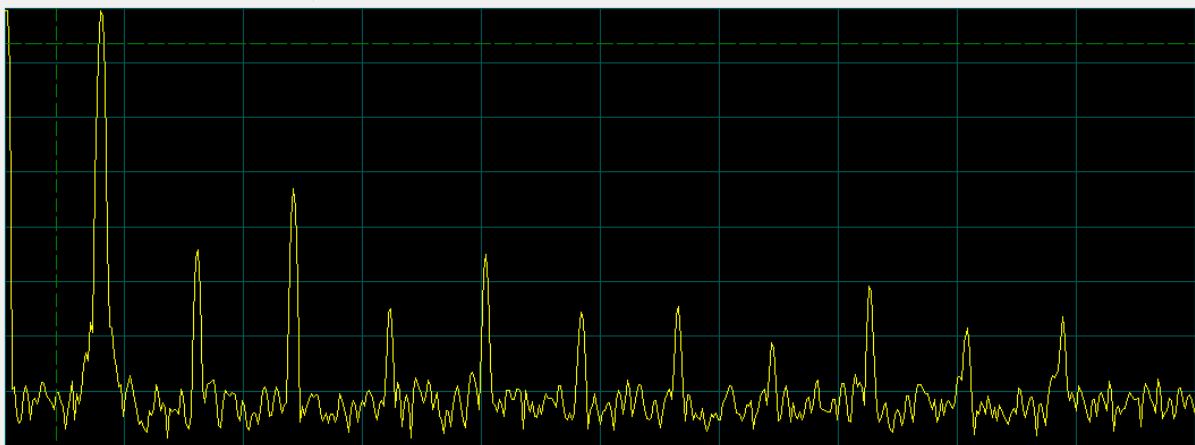
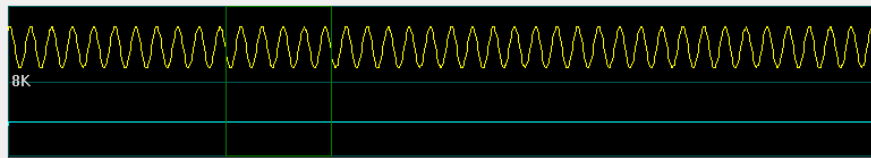
**ATMega8**

(RESET) PB6	1	PC5 (ADC5/SCL)	28
(RXD) PD0	2	PC4 (ADC4/SDA)	27
(TXD) PD1	3	PC3 (ADC3)	26
(INT0) PD2	4	PC2 (ADC2)	25
(INT1) PD3	5	PC1 (ADC1)	24
(XCK/T0) PD4	6	PC0 (ADCC)	23
VCC	7	GND	22
GND	8	AREF	21
(XTAL1/TOSC1) PB6	9	AVCC	20
(XTAL2/TOSC2) PB7	10	PB5 (SCK)	19
(T1) PD5	11	PB4 (MISO)	18
(AIN0) PD6	12	PB3 (MOSI/OC2)	17
(AIN1) PD7	13	PB2 (SS/OC1B)	16
(ICP) PB0	14	PB1 (OC1A)	15

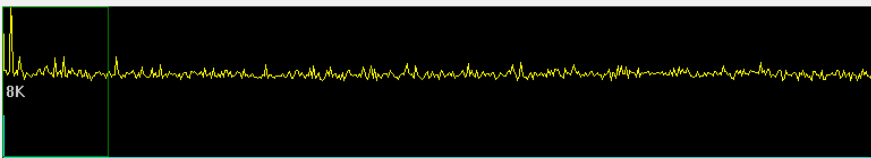




- AUTO SETUP
- AUTO ZERO
- FFT VIEW



- AUTO SETUP
- AUTO ZERO
- FFT VIEW



CH1

Freq:	50.049Hz
Fund:	39.5 dBV
2nd:	-4.2 dBV
3rd:	6.9 dBV
4th:	-15.0 dBV
5th:	-5.0 dBV
THD:	2.5%

CH2

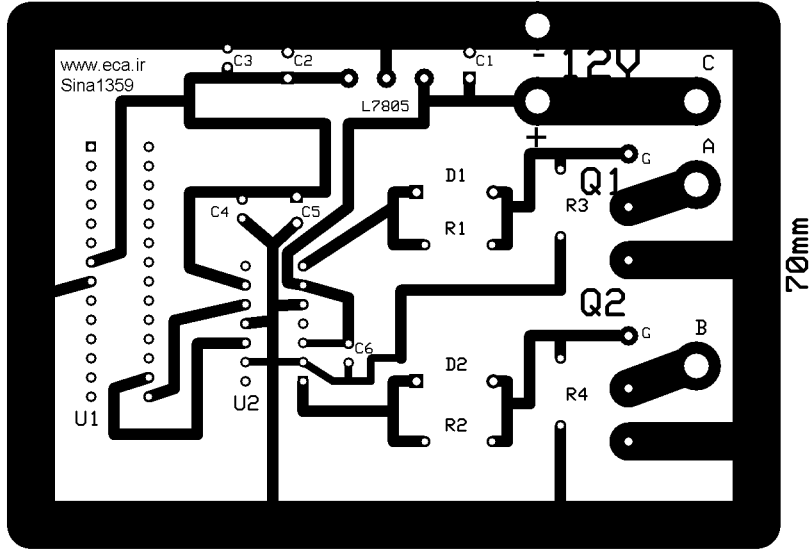
Freq:	4.883Hz
Fund:	-38.5 dBV
2nd:	-38.5 dBV
3rd:	-38.8 dBV
4th:	-38.9 dBV
5th:	-38.9 dBV
THD:	109.4%

FFT Zoom

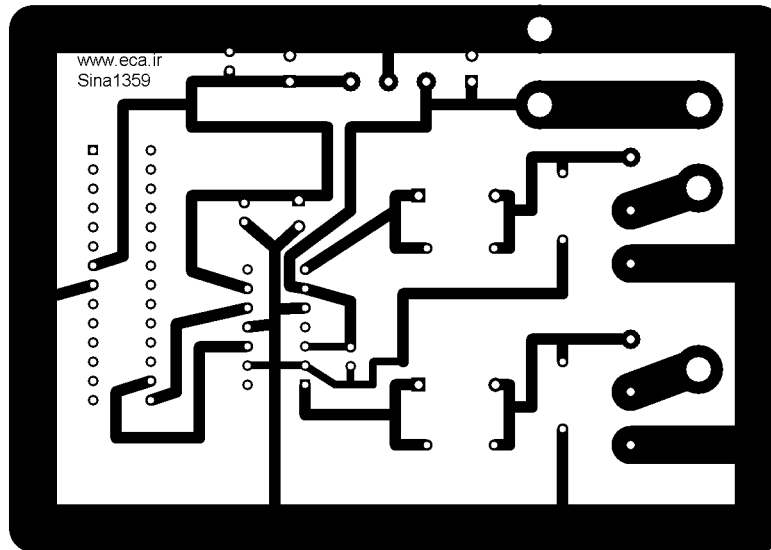
- x 8 +

MARKERS

V:	33.5 dBV
Freq:	26.786Hz



100mm





<https://www.eca.ir/forums/thread42260.html>