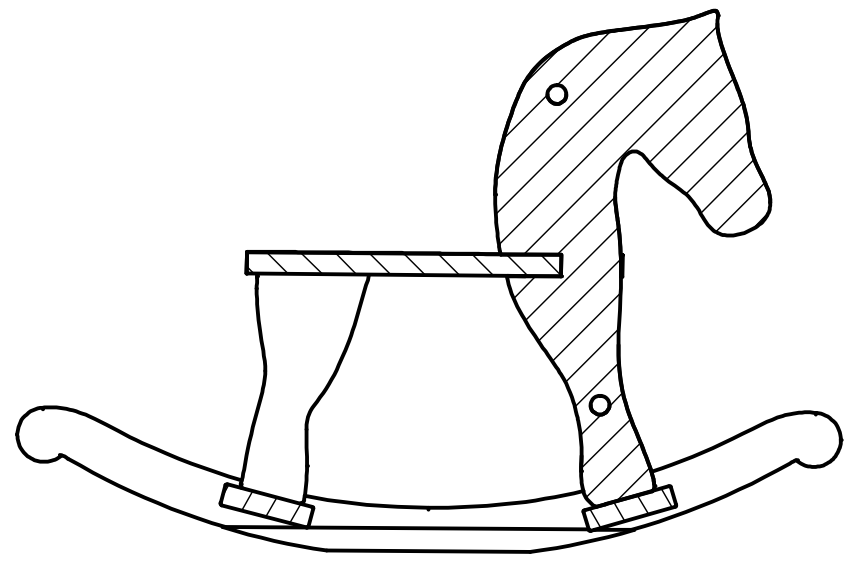
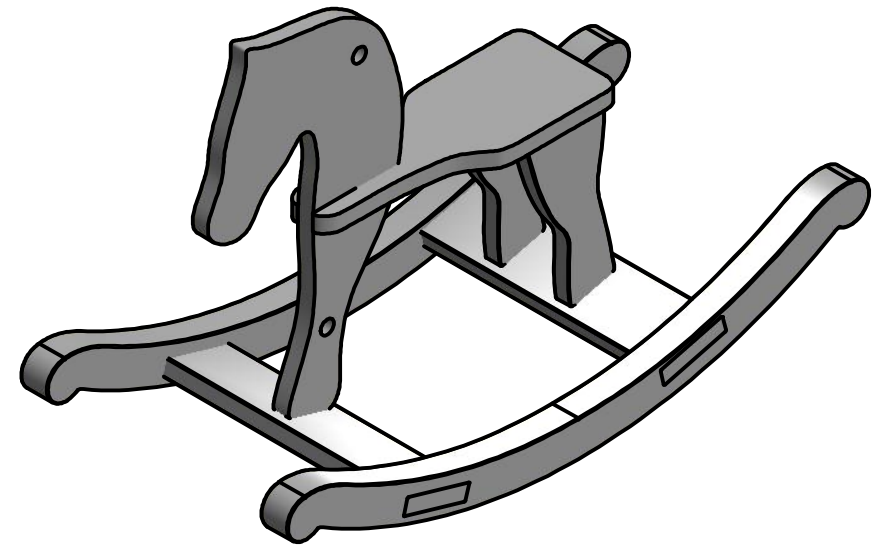
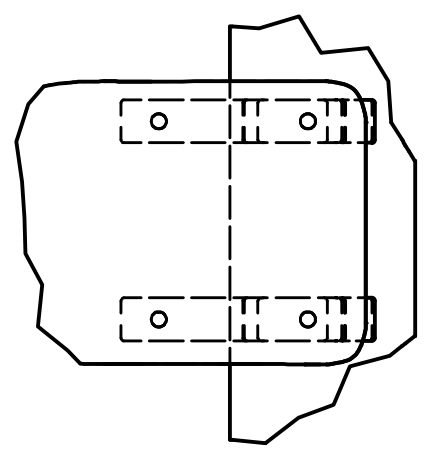
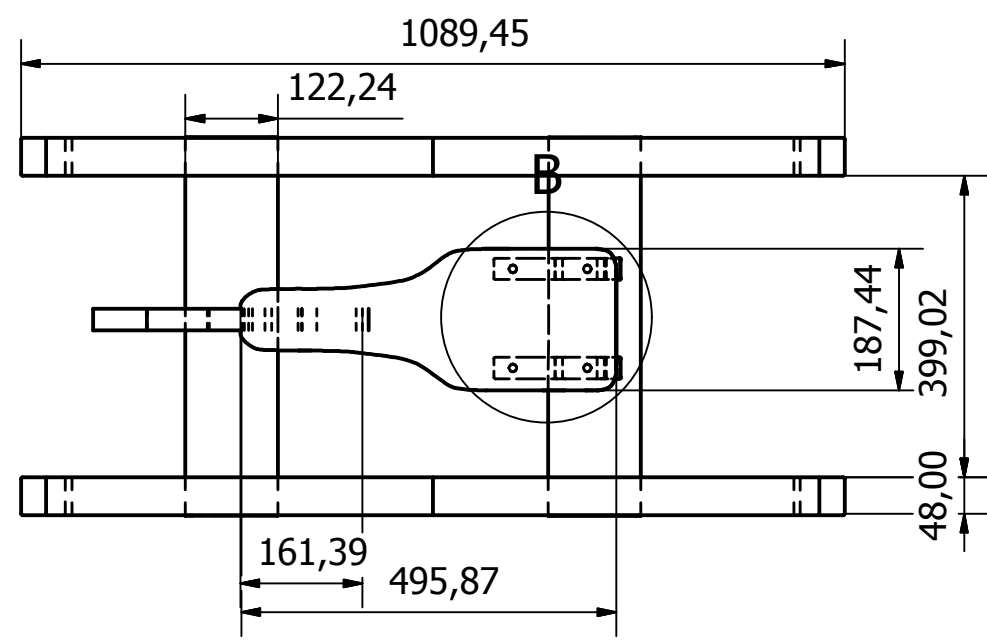


A-A (1 : 10)



B (1 : 5)



Designed by Administrador	Checked by	Approved by	Date	Date 15-03-2012	
			ENSAMBLE CABALLITO		
			Edition	Sheet 1 / 1	