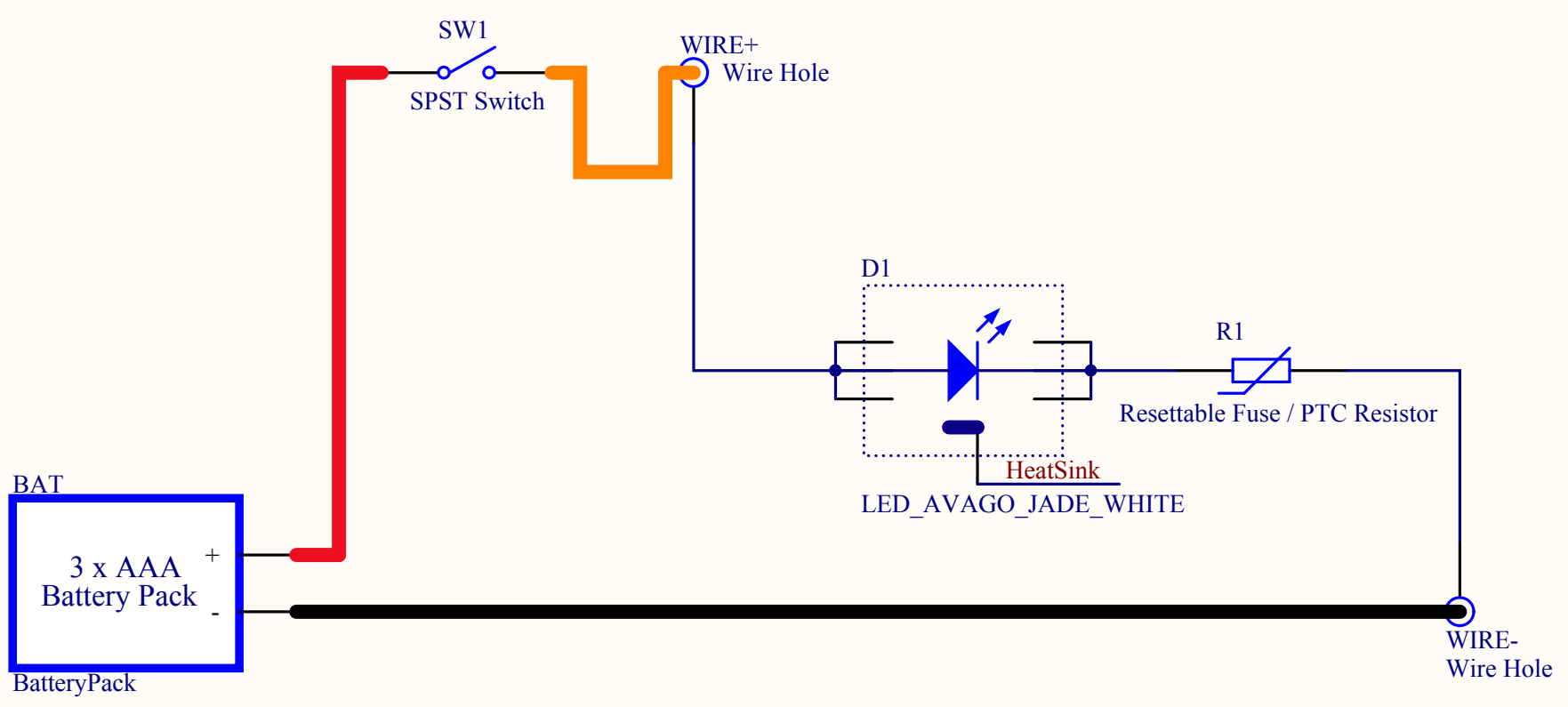
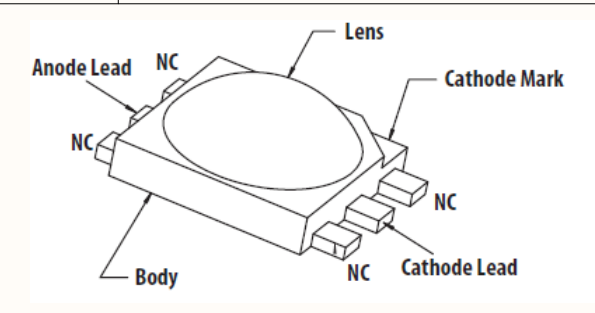


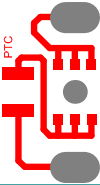
Designator	Comment	Description	Footprint	Quantity	Supplier 1	Supplier Part Number 1
SW1	SPST Switch	Single-Pole, Single-Throw Switch		1	AllElectronics	SSW-51
R1	PTC Resistor	Resettable Fuse/ PTC Resistor	LF_1210	1	Mouser	576-1210L020WR
D1	LED_AVAGO_JADE_WHITE	High Power LED - Natural White, 3 Watt	ASMT-Jx3x	1	Mouser	630-ASMT-JN31-NTV01
BAT	BatteryPack	Battery Pack, 3x AAA		1	Mouser	12BH431-GR



Title <b><i>ASMT-Jx3x LED Board</i></b>			<b>ToybuilderLabs</b>
Size: <b>A</b>	Number:*	Revision:*	
Date: 10/18/2012	Time: 2:49:37 PM	Sheet 1 of 1	
File: C:\Users\Joseph\Documents\Work\toybuilderlabs\LAMS\halloween LED\ASMTLEDBoard.SchDoc			

Designator	Comment	Description	Footprint	Quantity	Supplier 1	Supplier Part Number 1
SW1	SPST Switch	Single-Pole, Single-Throw Switch		1	AllElectronics	SSW-51
R1	Resettable Fuse / PTC Resistor	Resettable Fuse/ PTC Resistor	LF_1210	1	Mouser	576-1210L020WR
D1	LED_AVAGO_JADE_WHITE	High Power LED - Natural White, 3 Watt	ASMT-Jx3x	1	Mouser	630-ASMT-JN31-NTV01
BAT	BatteryPack	Battery Pack, 3x AAA		1	Mouser	12BH431-GR

PTC



LED



LA Makerspace



# Lo'pniqlar



A2WL-1x3x LED Board