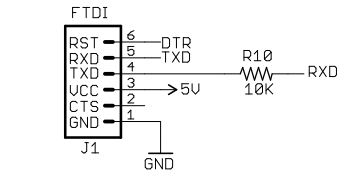
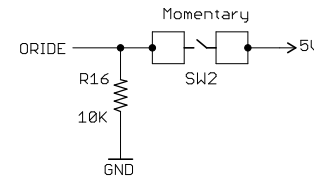


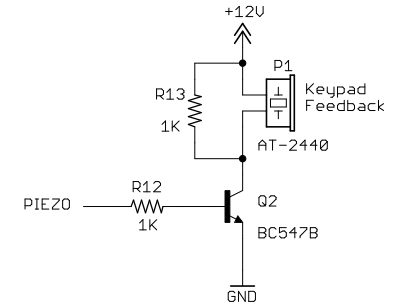
Voltage regulation



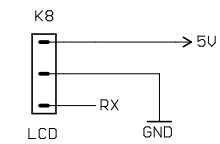
In-circuit programming
(5V FTDI cable required)



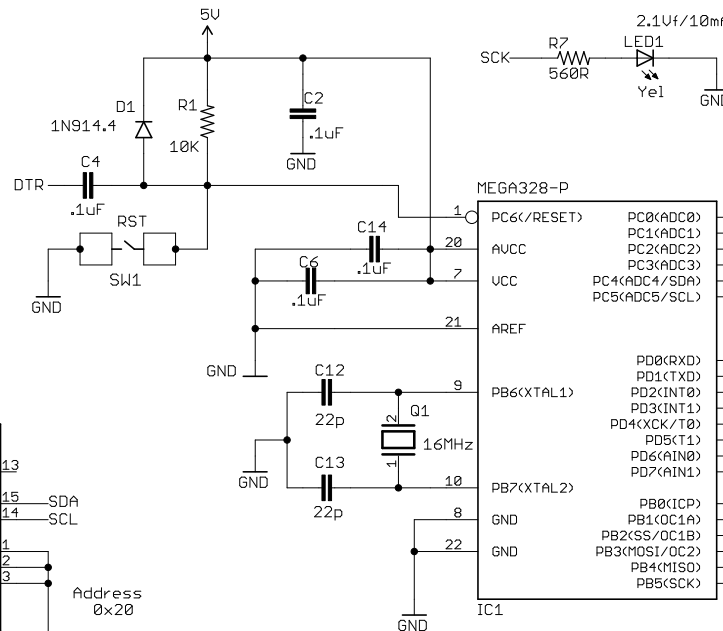
Remote Simulator



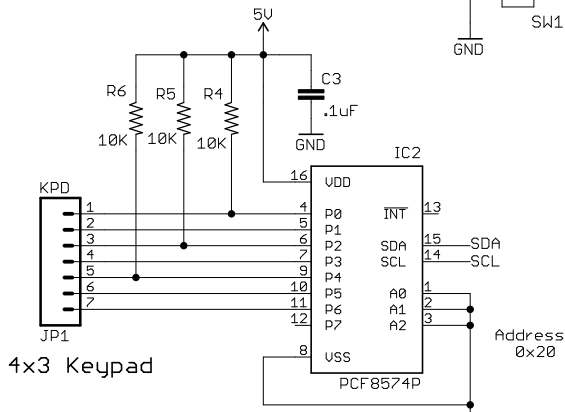
Audio Feedback



Liquid Crystal

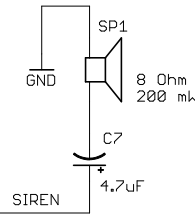


Processing

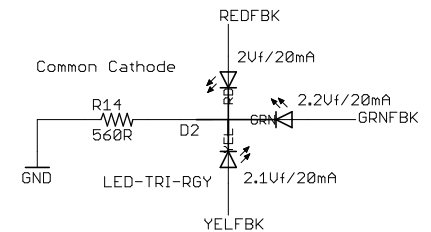


4x3 Keypad

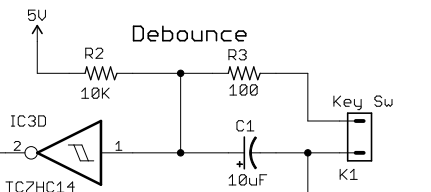
Port Expander



PhotoMOS Simulator



Visual feedback



Schmitt Inverter

Debounce

Key switch activates program