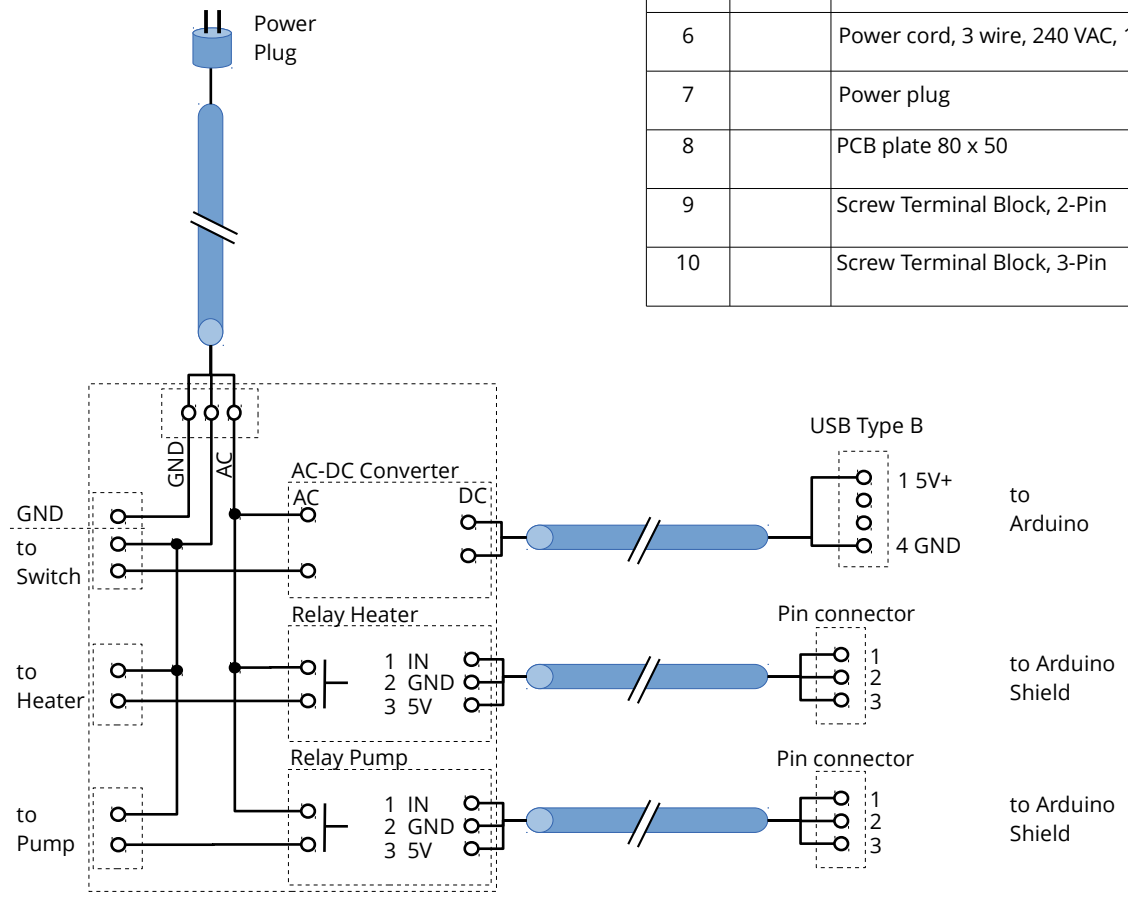


Bill of material

Pos	ID	Description	Qty
1		SSR Relay Module	2
2		AC-DC Converter, power supply 110-240 VAC, 5 VDC	1
3		Pin header, 3 pin	2
4		3 wire cable, 150 mm	2
5		USB cable, Type B plug,, 200 mm	1
6		Power cord, 3 wire, 240 VAC, 1 m	1
7		Power plug	1
8		PCB plate 80 x 50	1
9		Screw Terminal Block, 2-Pin	2
10		Screw Terminal Block, 3-Pin	2



Changes Issue 02
 - correct polarity of relay control
 - correct spelling of relay



Document type Drawing		Author microstill.net	Copyright CC BY-SA
Title Power Supply		Document status Issue	
		Document no. Draw-PowerSupply	
Issue 02	Issue date 2017-04-27	1/1	