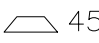

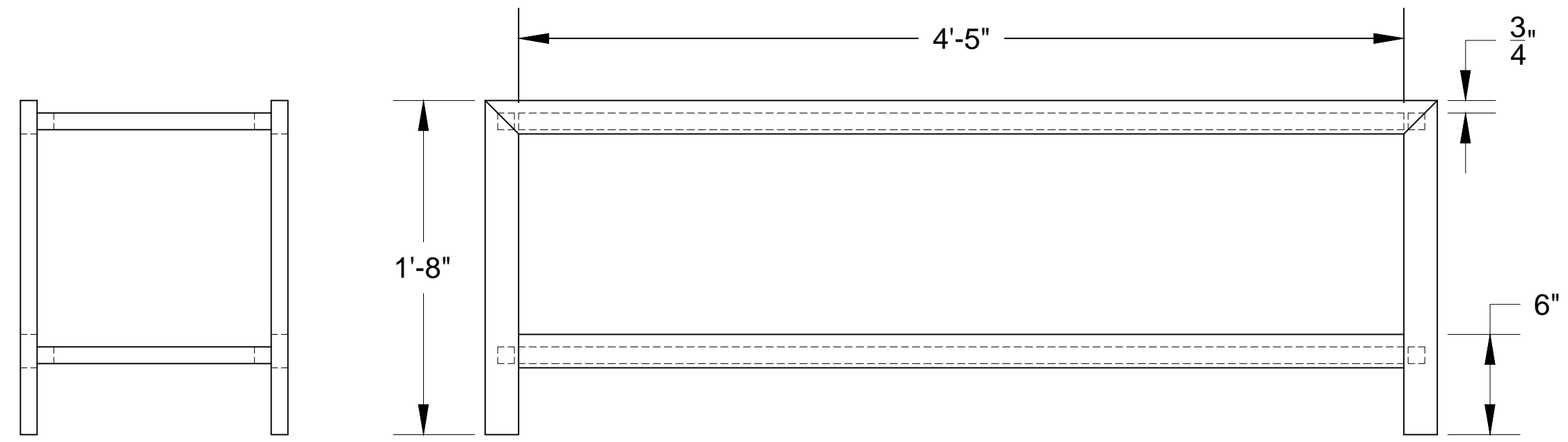
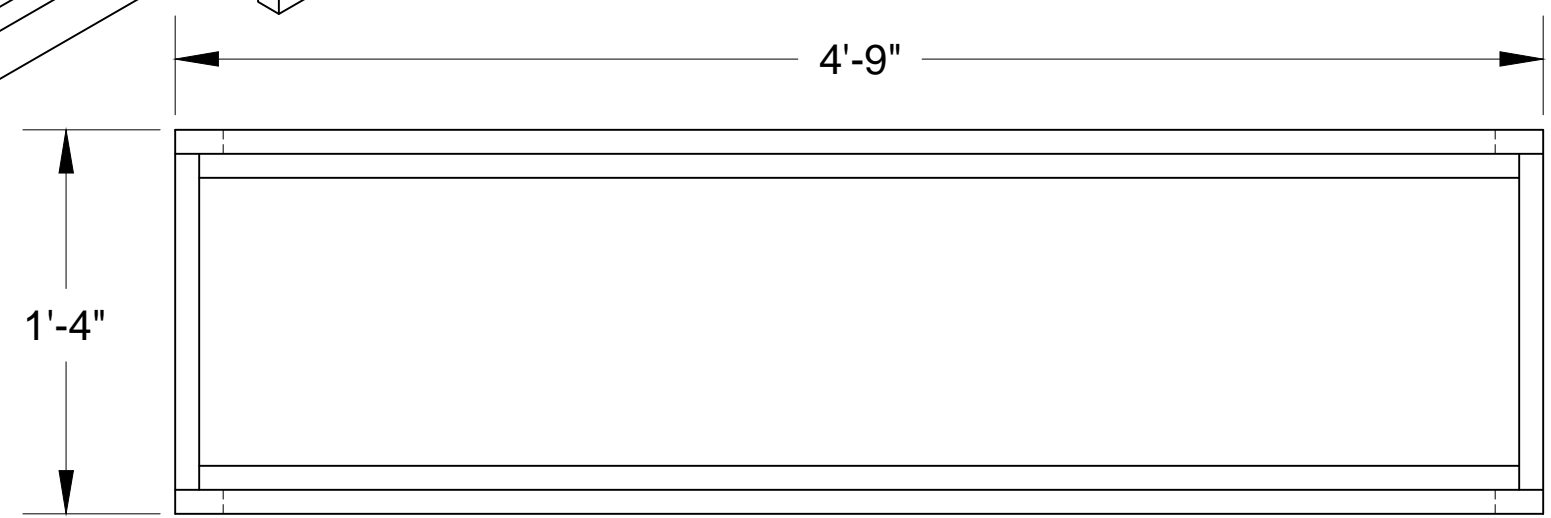


Cut List

2 @ 4'-9"	45°  45°	1"X2" STEEL
2 @ 4'-5"		1"X2" STEEL
4 @ 1'-8"	45° 	1"X2" STEEL
4 @ 4'-5"		1"X1" STEEL
4 @ 1'-2"		1"X1" STEEL



# ENTERTAINMENT SHELF

Venue: **Shop**

Technical Director:  
**Chris Rybitzki**  
Assistant Technical Director:

Director:  
Designer:

# TV SHELF

INSTRUCTABLES

DRAFTED BY: CMR  
SCALE: 1-1/2"=1'-0"

DATE: 8/8/15

PLATE:

**101**