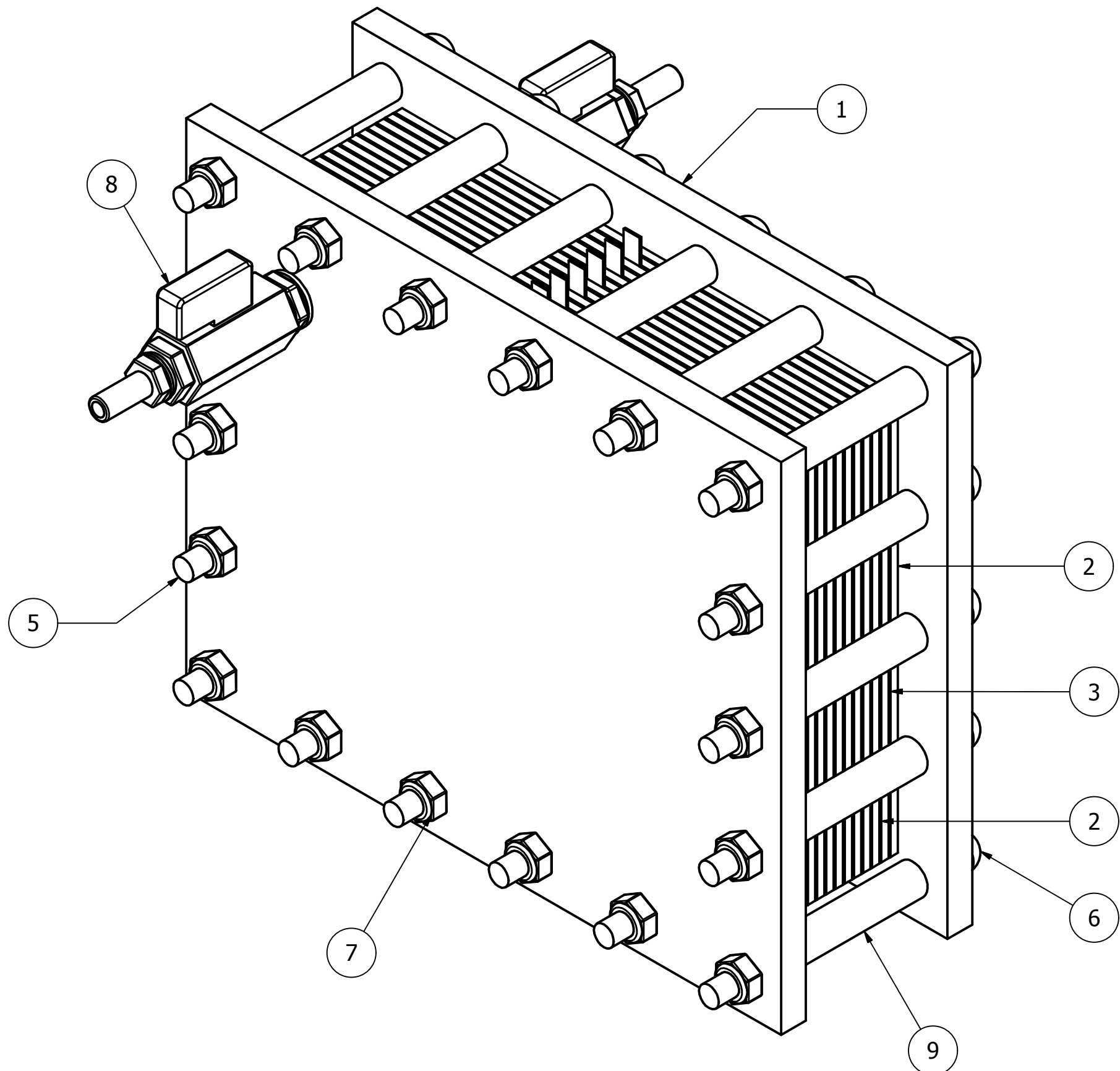


PARTS LIST		
ITEM	QTY	DESCRIPTION
1	2	Polycarbonate End Wall
2	16	Rubber Gasket
3	8	Electrode A
4	7	Electrode B
5	18	M8 x 100mm studing
6	18	M8 Dome Nut
7	18	M8 Niloc Nut
8	2	Valve Assembly
9	18	12mm Rubber Tube



PRODUCED BY AN AUTODESK EDUCATIONAL PRODUCT

PRODUCED BY AN AUTODESK EDUCATIONAL PRODUCT

REVISION HISTORY			
REV	DESCRIPTION	DATE	APPROV
A	INITIAL DESIGN COMPLETE	12/06/2012	JBB
B	WIDTH CHANGED ON TABS ON ELECTRODES	28/07/2012	JBB

THIS DOCUMENT IN ITS ENTIRETY IS COPYRIGHT BAGNALL DESIGN CORPORATION AND ITS CONTENTS ARE THE INTELLECTUAL PROPERTY OF THE COMPANY. THIS DRAWING REMAINS THE PROPERTY OF BAGNALL DESIGN CORPORATION. NO PART OF THE DOCUMENT MAY BE REPRODUCED FOR, OR CONTENTS REVEALED TO, ANY PERSONS OTHER THAN THE EMPLOYEES OF THE CONCERN RECEIVING THIS DRAWING AND IT IS TO BE RETURNED UPON REQUEST.

Material	Scale	Drawn	Title
Finish	Date	Checked	
CLEAN DEBURRED	12/06/2012		

Assembled Electroliser		REV	SHEET 1 OF 5
Assembled Electroliser B		B	A3

BDC
BAGNALL DESIGN CORPORATION
E-mail: bagnalldesigncorp@gmail.com
Bagnall Design Corporation
Designing our future™

