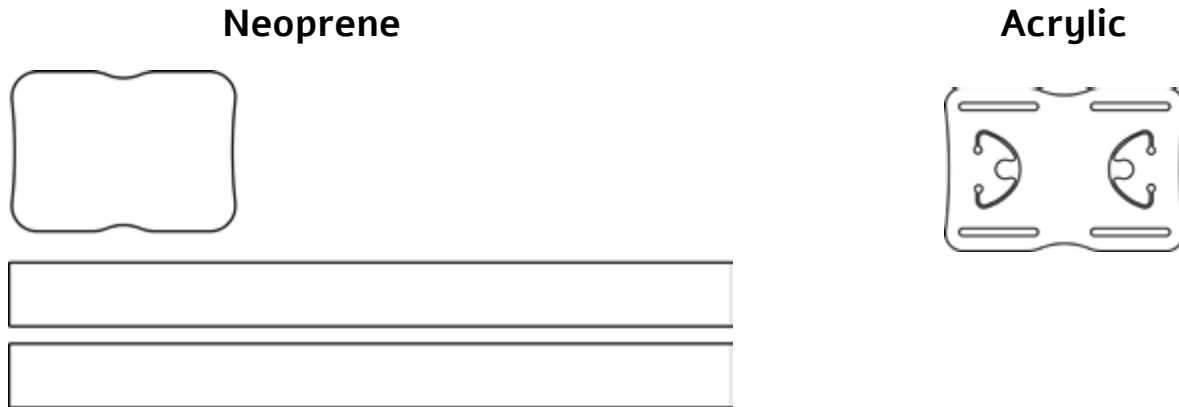


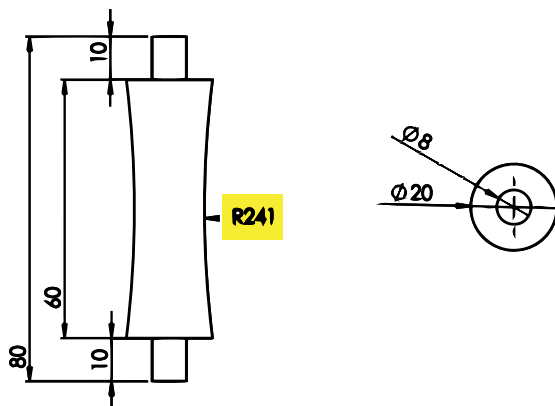
Michael Plays the Guitar-Model Instructions

Download DXF files

1 .Laser cut Neoprene file in 3mm neoprene and Acrylic file in 3mm acrylic sheet.

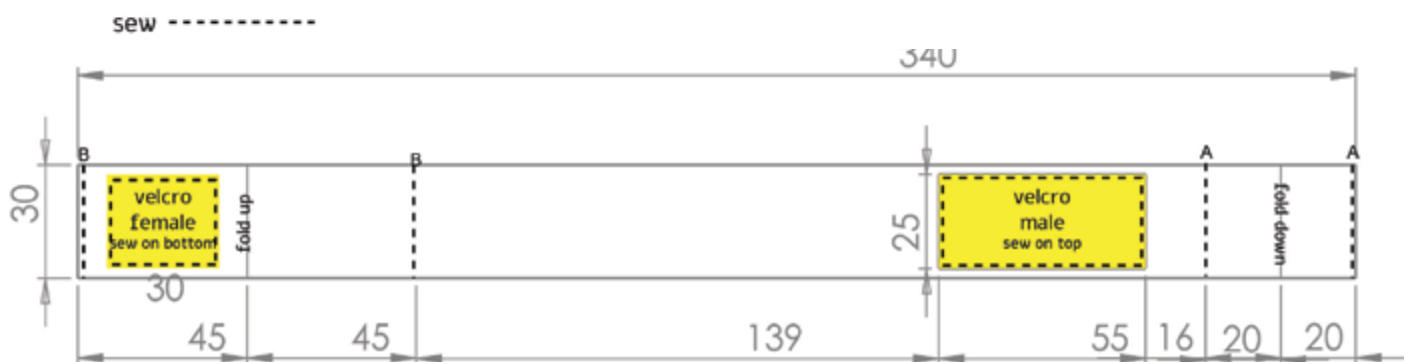


2 .Lathe a piece of hard wood according to the guitar neck radius.



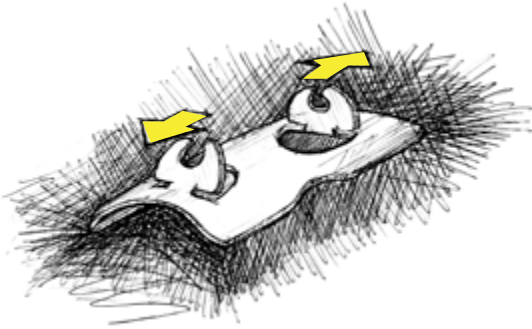
3 .Cut and sew 2 pieces of Velcro as shown in the sketch below (make sure to flip the strap before sewing the second piece of Velcro).

4. Make a loop and sew on the female Velcro side of the strap as shown in the sketch.



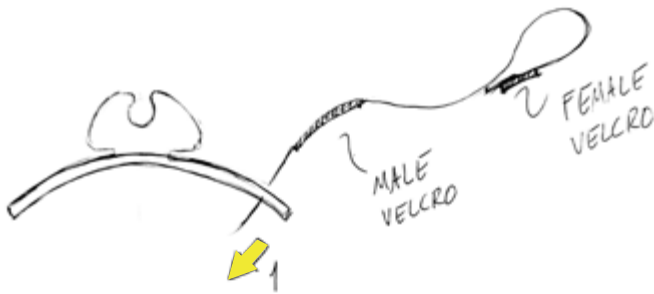
5. Heat the acrylic sheet and bend over a piece of tube 70 mm in diameter.

6. Heat and bend the flaps at a 90° angle (may help using the edge of a table).

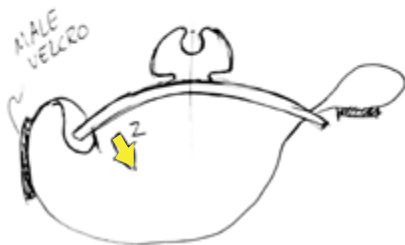


7. Glue the bent acrylic sheet to the neoprene (glue only the middle in order to leave space for the straps to go into the slits).

8. Insert the straps as shown in the sketch (male Velcro side head first) through the slits.



9. Close a loop on the male velcro side and sew.



10. Press the wood piece on the flaps until you hear a click.

11. For more information watch the explanation video on fixperts.com