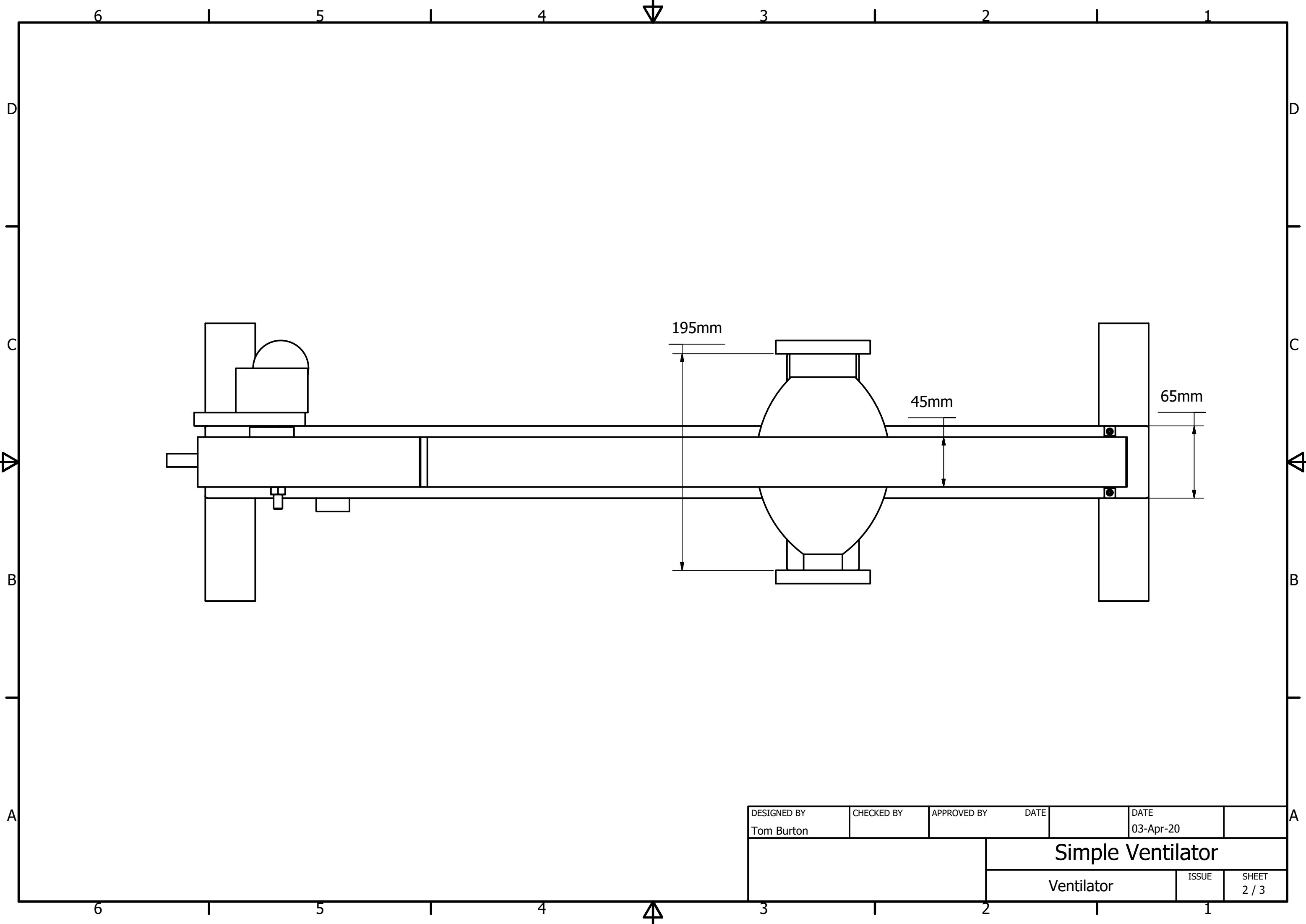
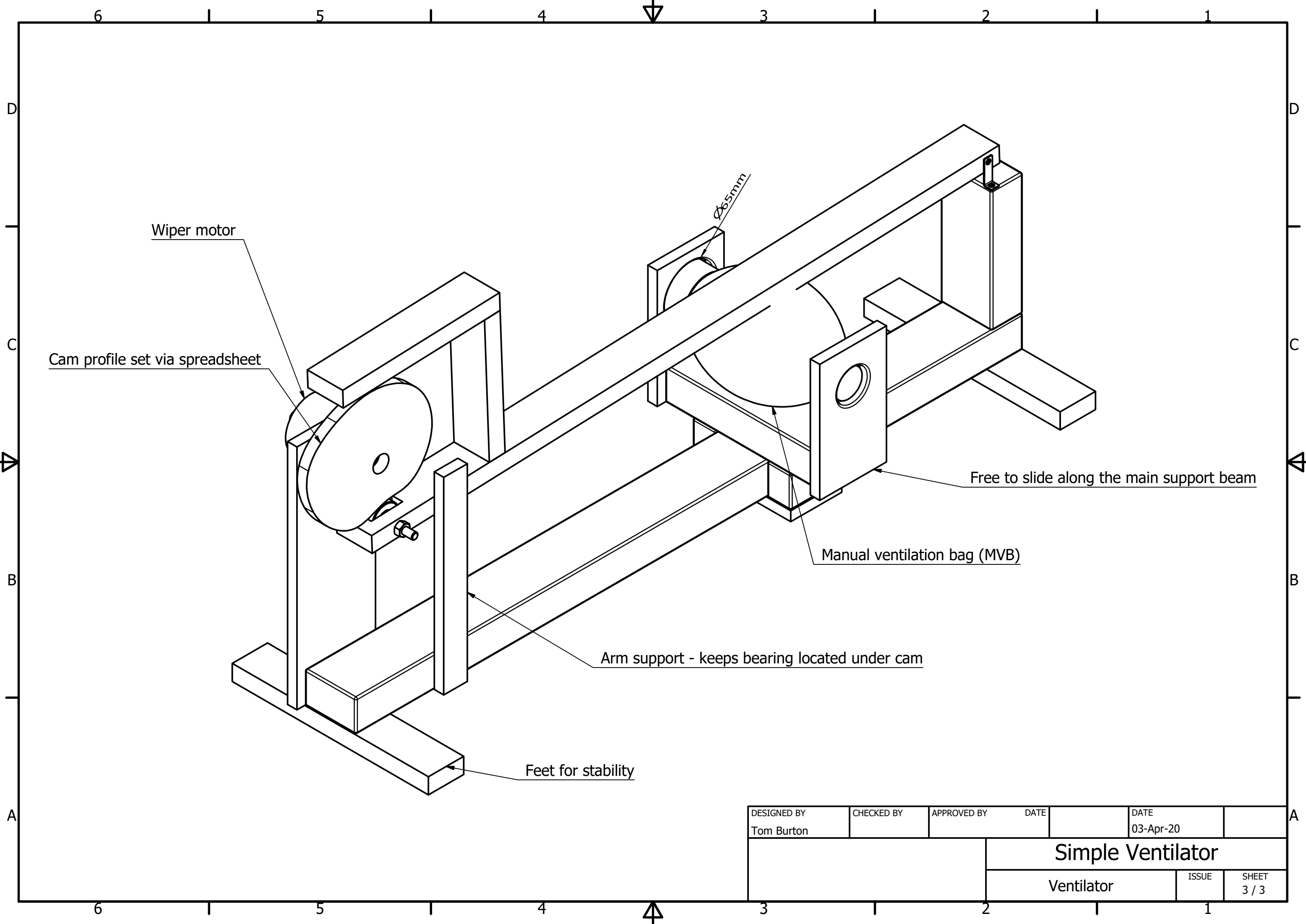


DESIGNED BY Tom Burton	CHECKED BY	APPROVED BY	DATE	DATE 03-Apr-20	
			Simple Ventilator		
			Ventilator	ISSUE	SHEET 1 / 3



DESIGNED BY Tom Burton	CHECKED BY	APPROVED BY	DATE	DATE 03-Apr-20
			Simple Ventilator	
			Ventilator	ISSUE 2 / 3



Wiper motor

Cam profile set via spreadsheet

Ø65mm

Free to slide along the main support beam

Manual ventilation bag (MVB)

Arm support - keeps bearing located under cam

Feet for stability

DESIGNED BY	CHECKED BY	APPROVED BY	DATE	DATE	
Tom Burton				03-Apr-20	
			Simple Ventilator		
			Ventilator	ISSUE	SHEET
					3 / 3