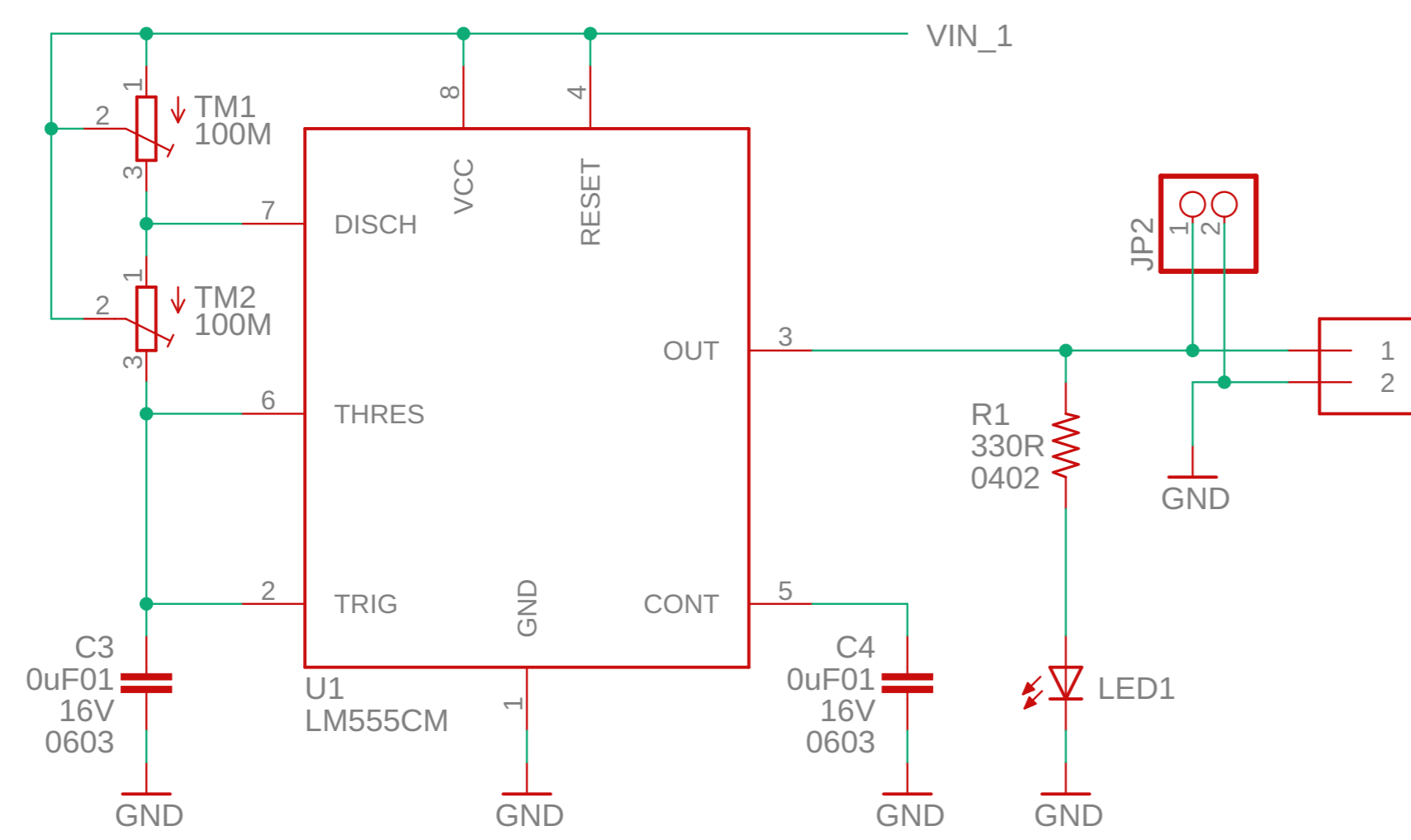
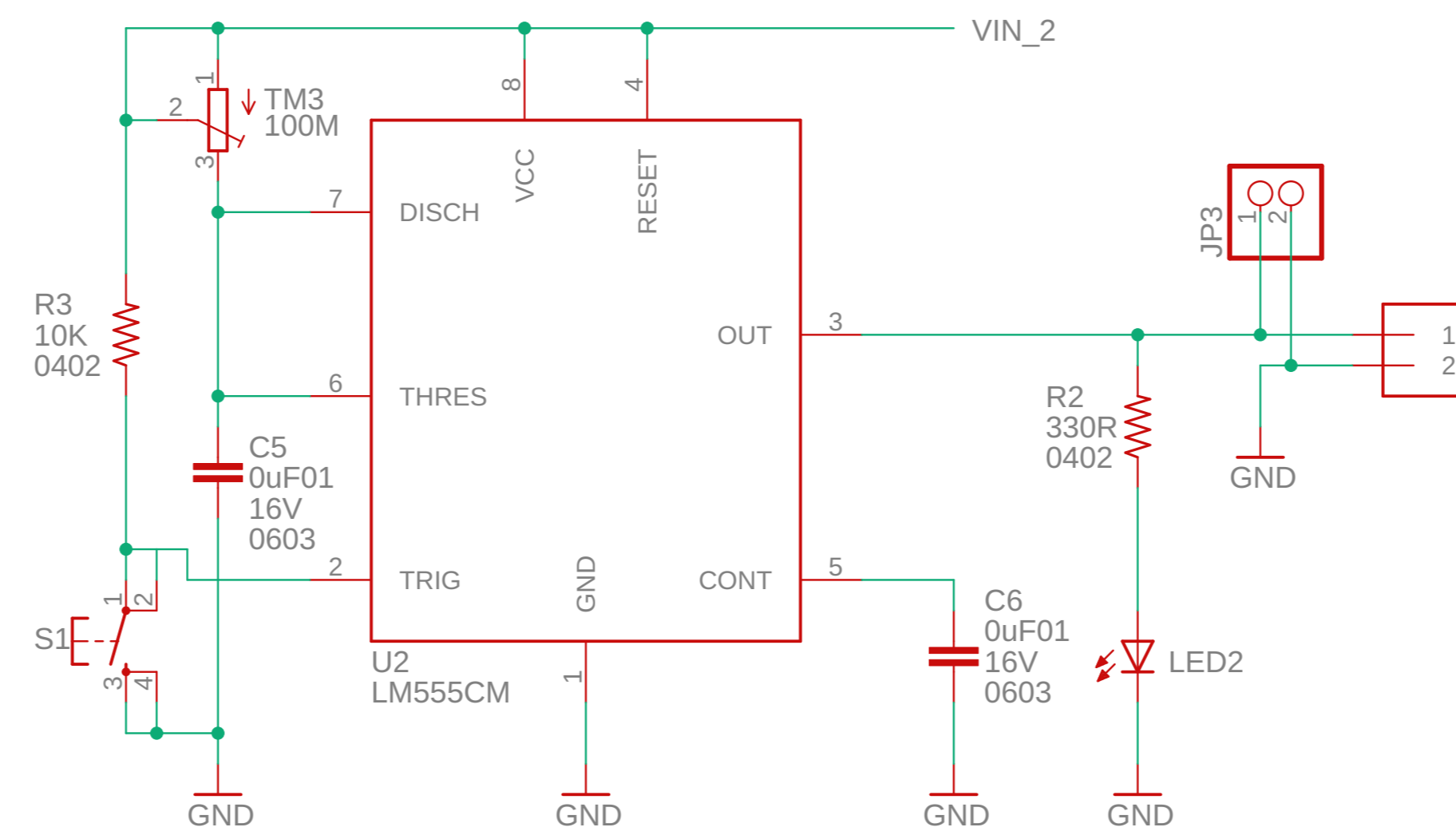


555 Timer IC Application Circuits

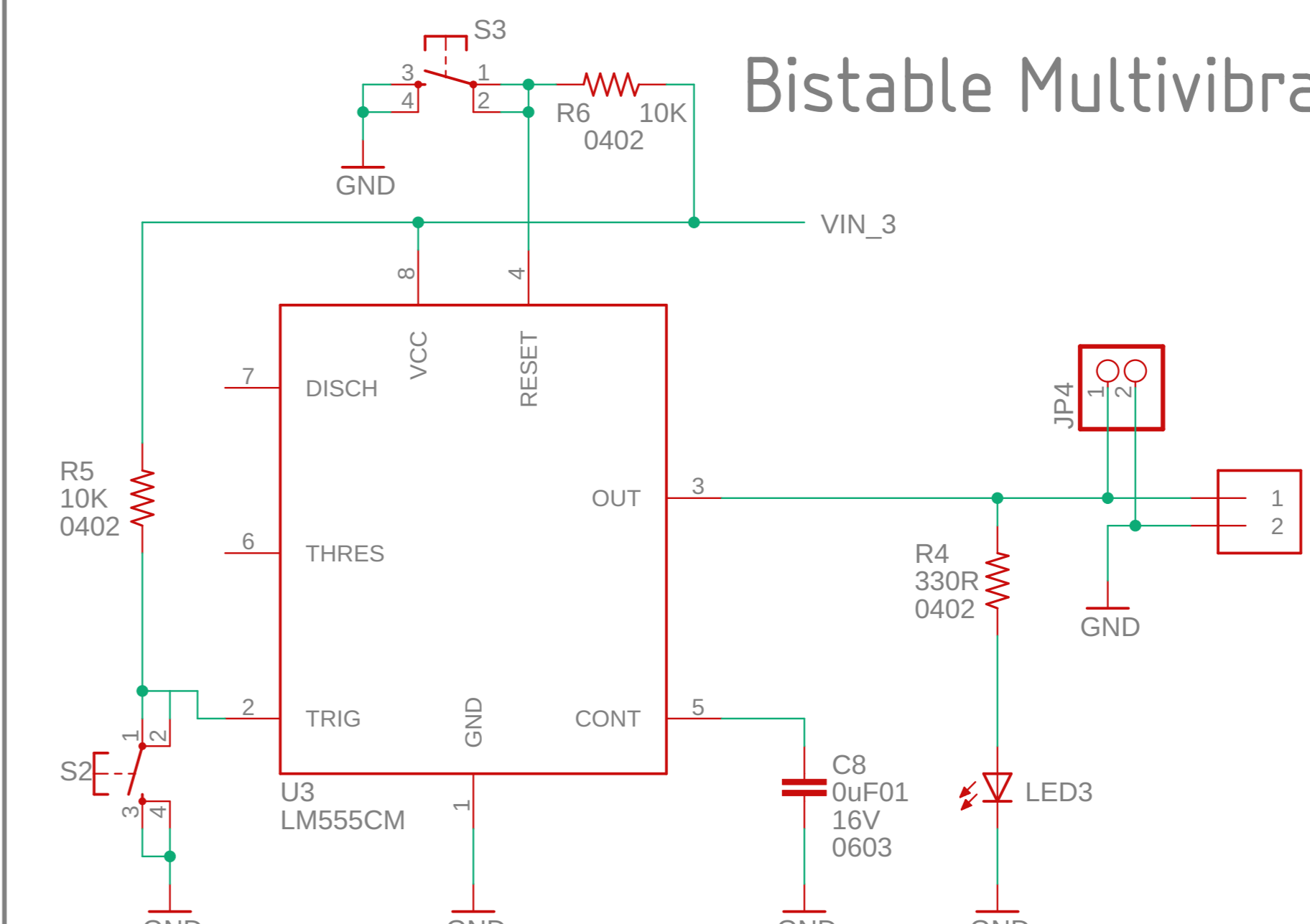
Astable Multivibrator



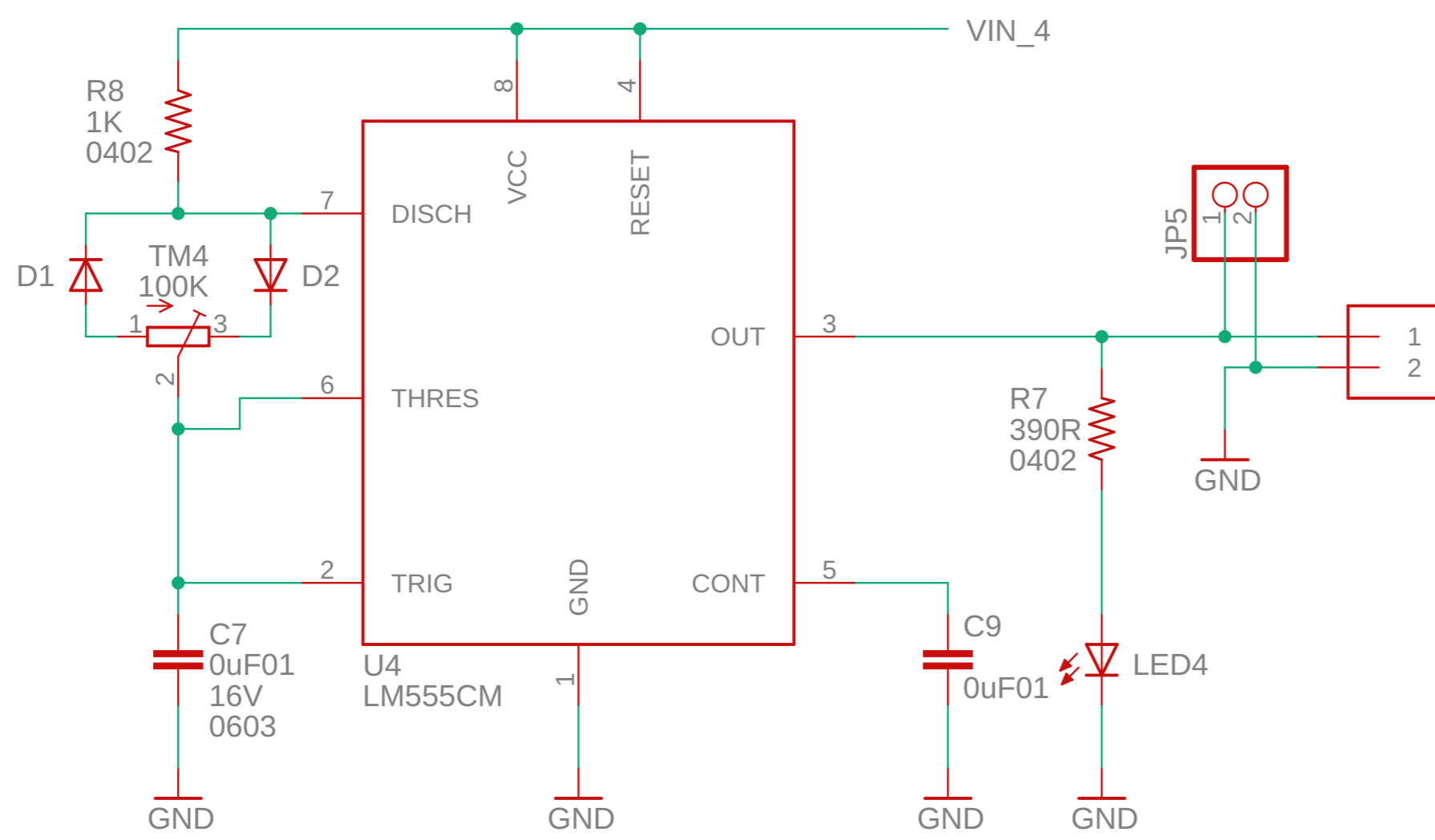
Monostable Multivibrator



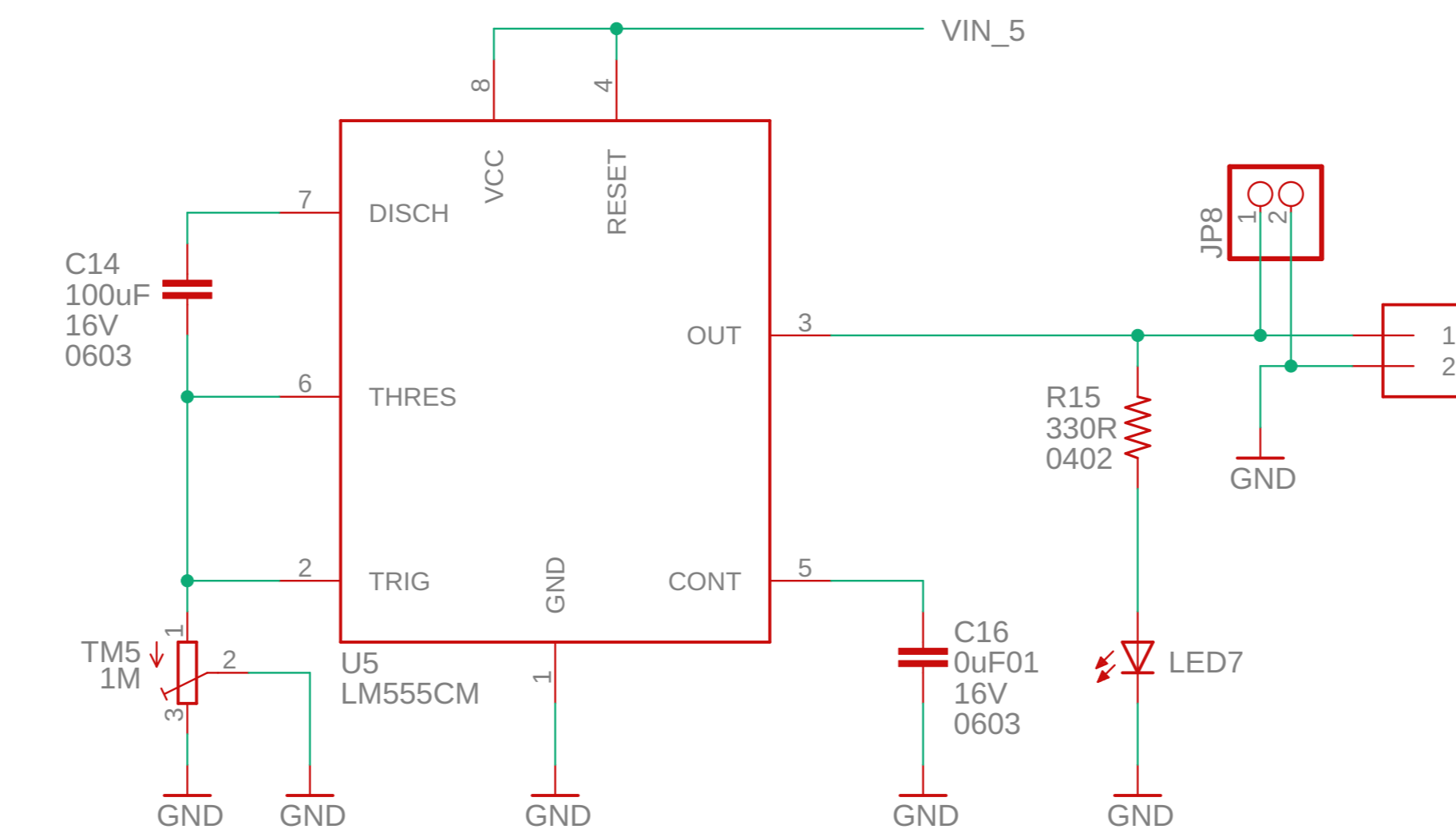
Bistable Multivibrator



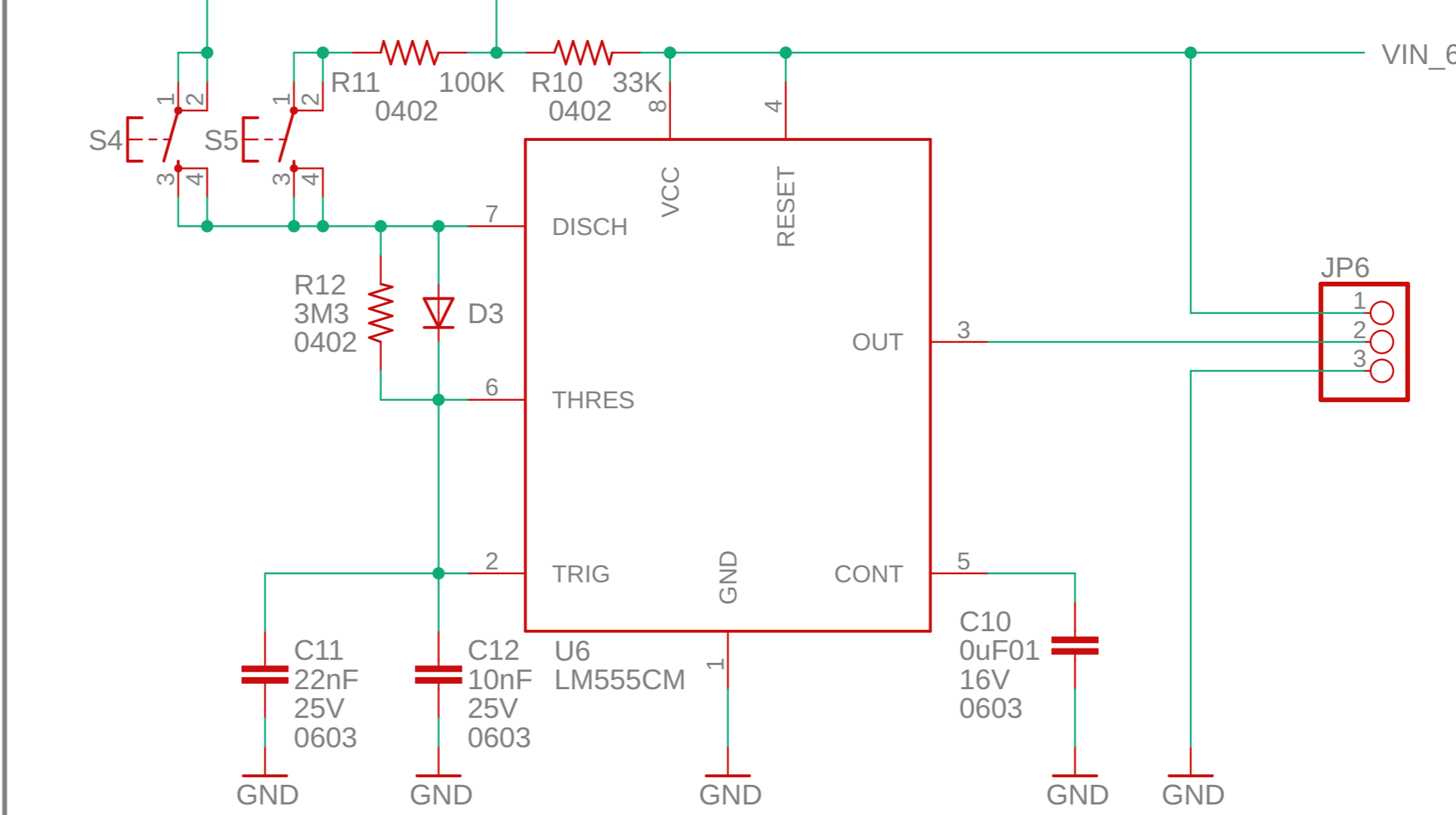
LED Dimmer Using PWM



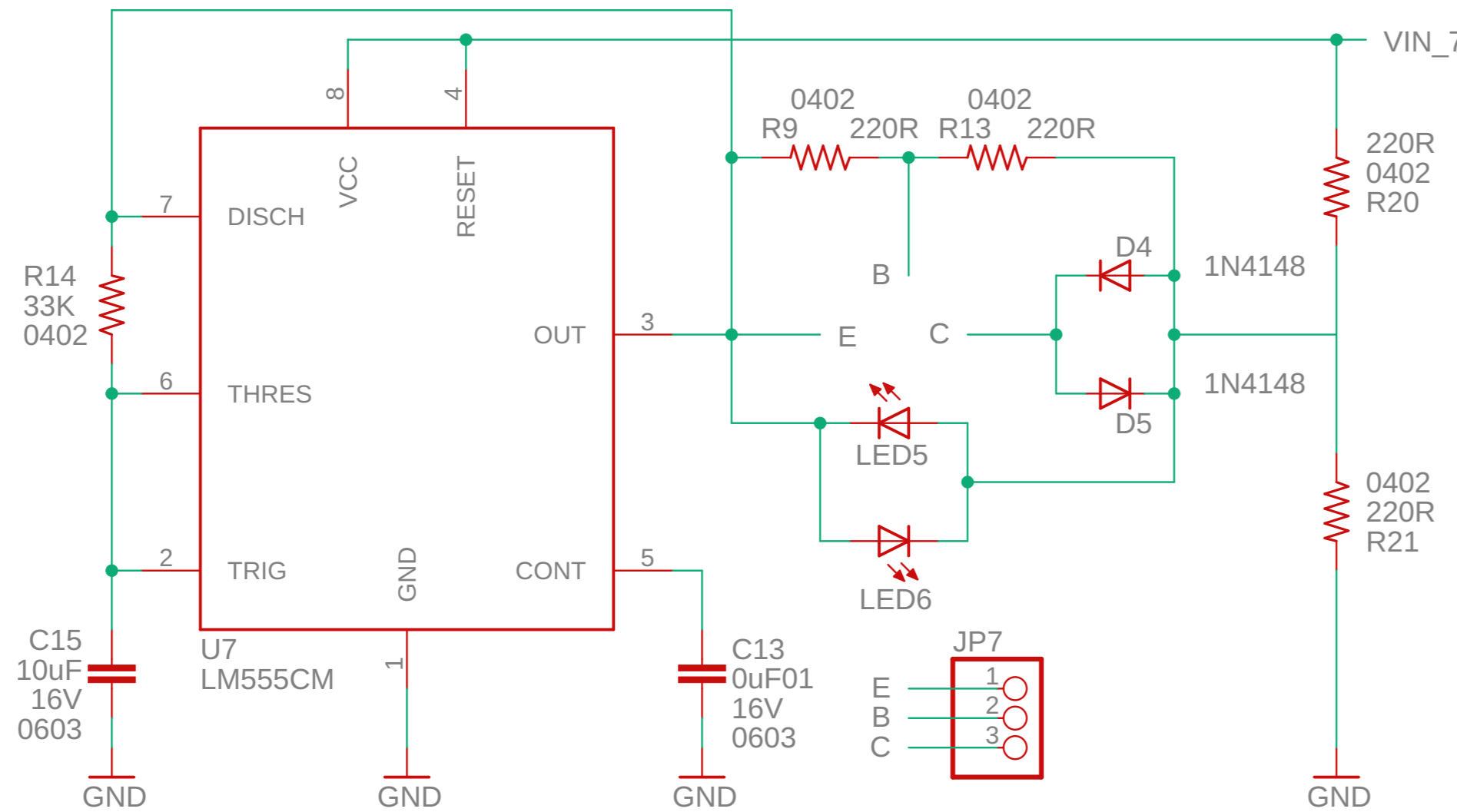
Delay Generator Before Turning On



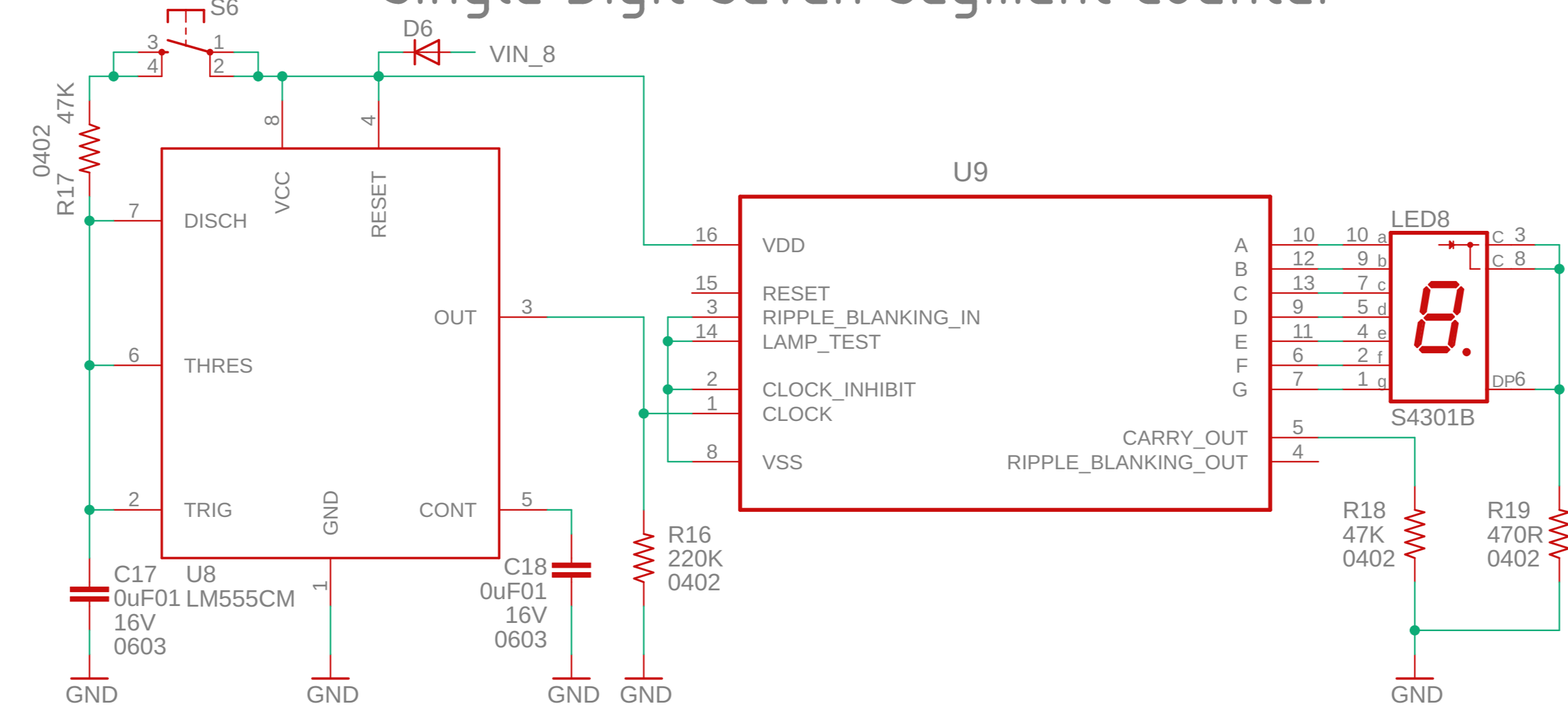
Servo Motor Tester



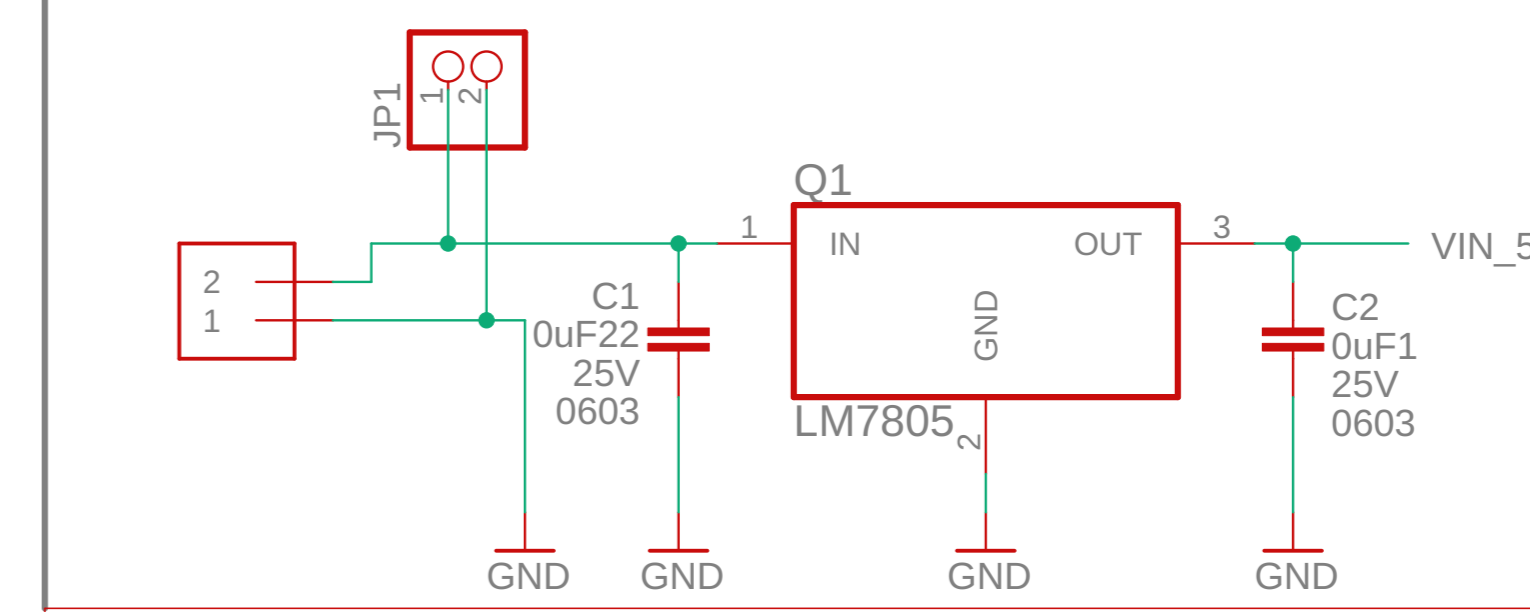
Transistor Tester Circuit



Single Digit Seven Segment Counter

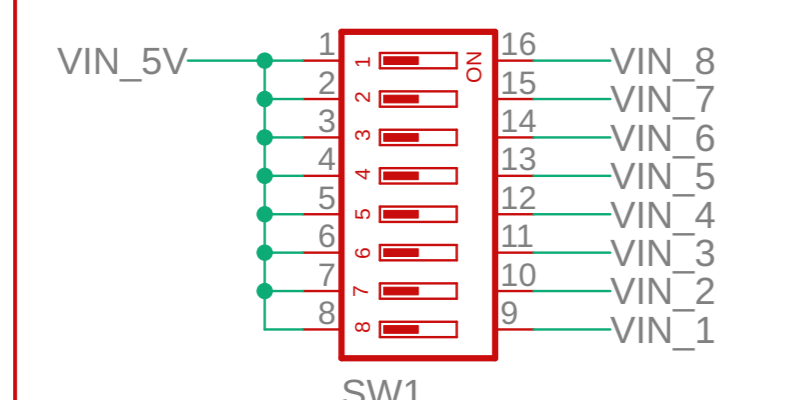


Power Supply (VIN=5V)



TITLE: 555_Application_Design
 PAGE TITLE: 555 Timer IC Application Circuits
 Size:A3 Document Number: REV:
 Date: 15-10-2020 01:13 AM Sheet: 1/1

TURN ON SWITCH



555 IC DIP

