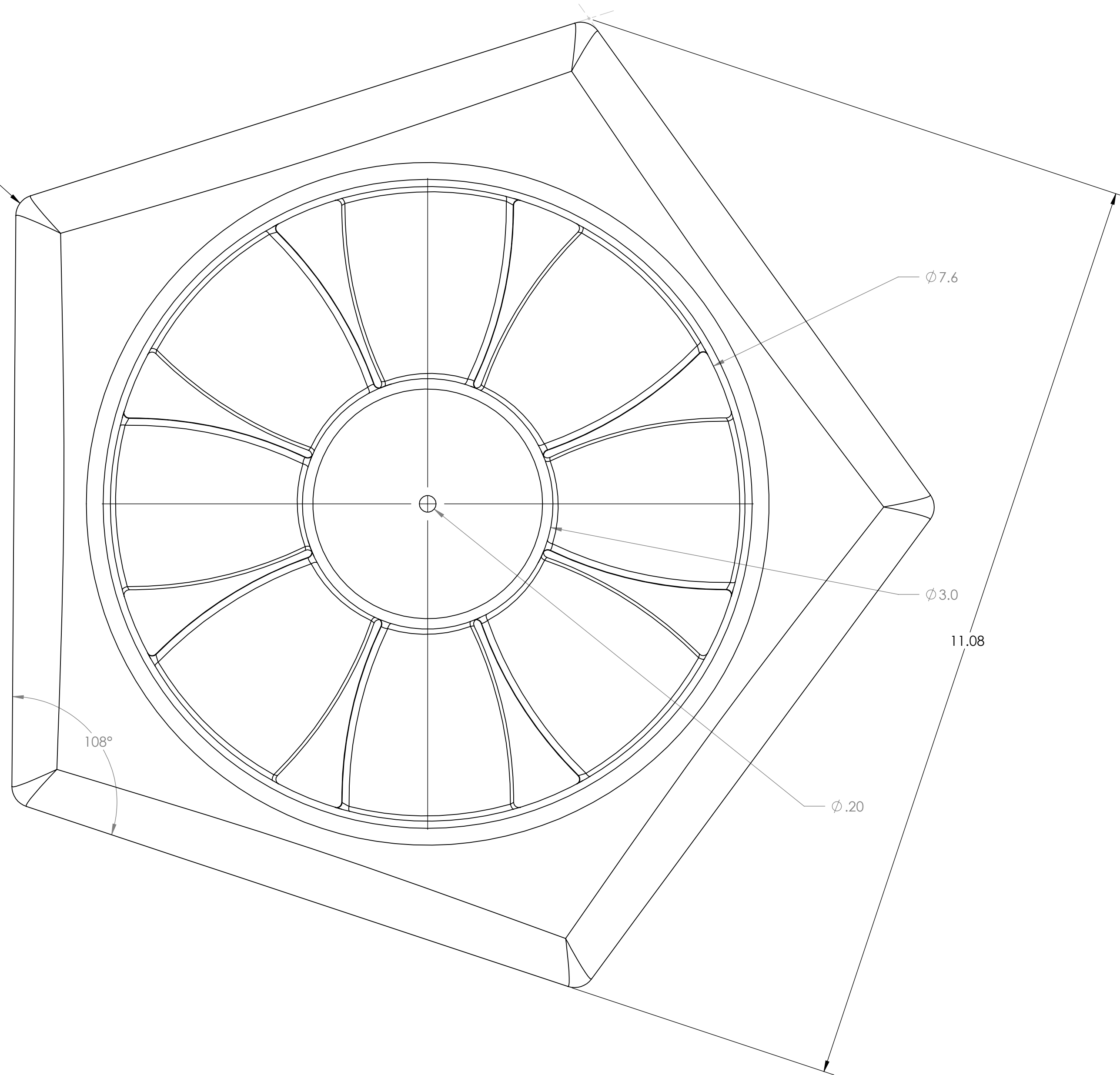
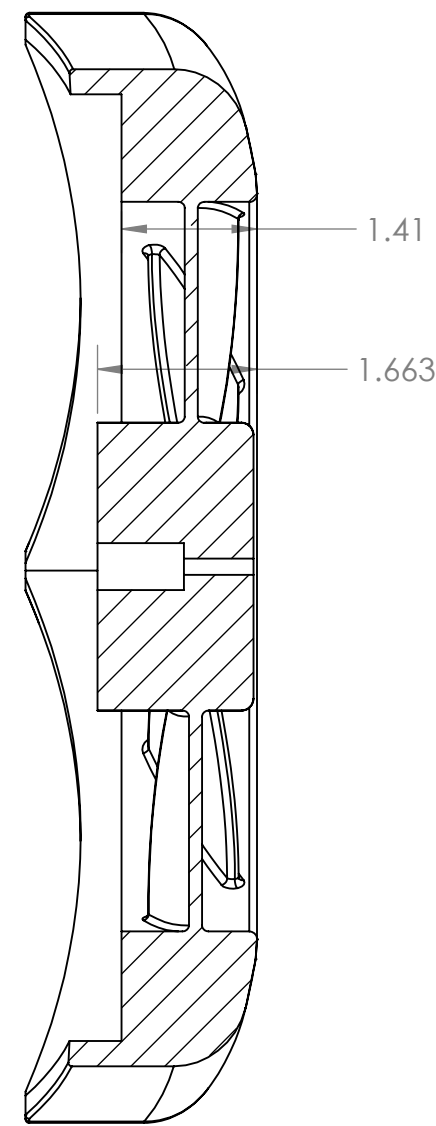
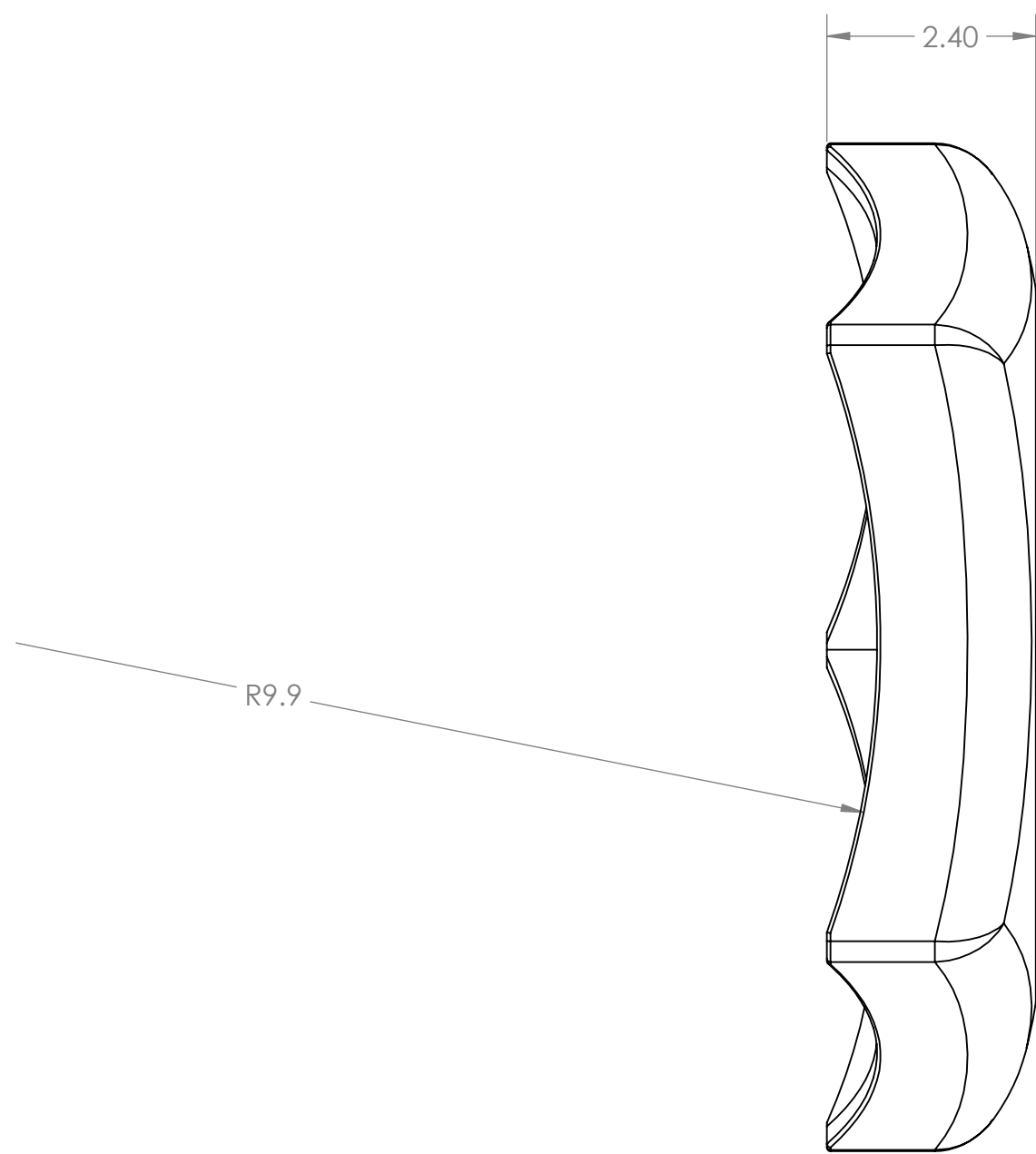
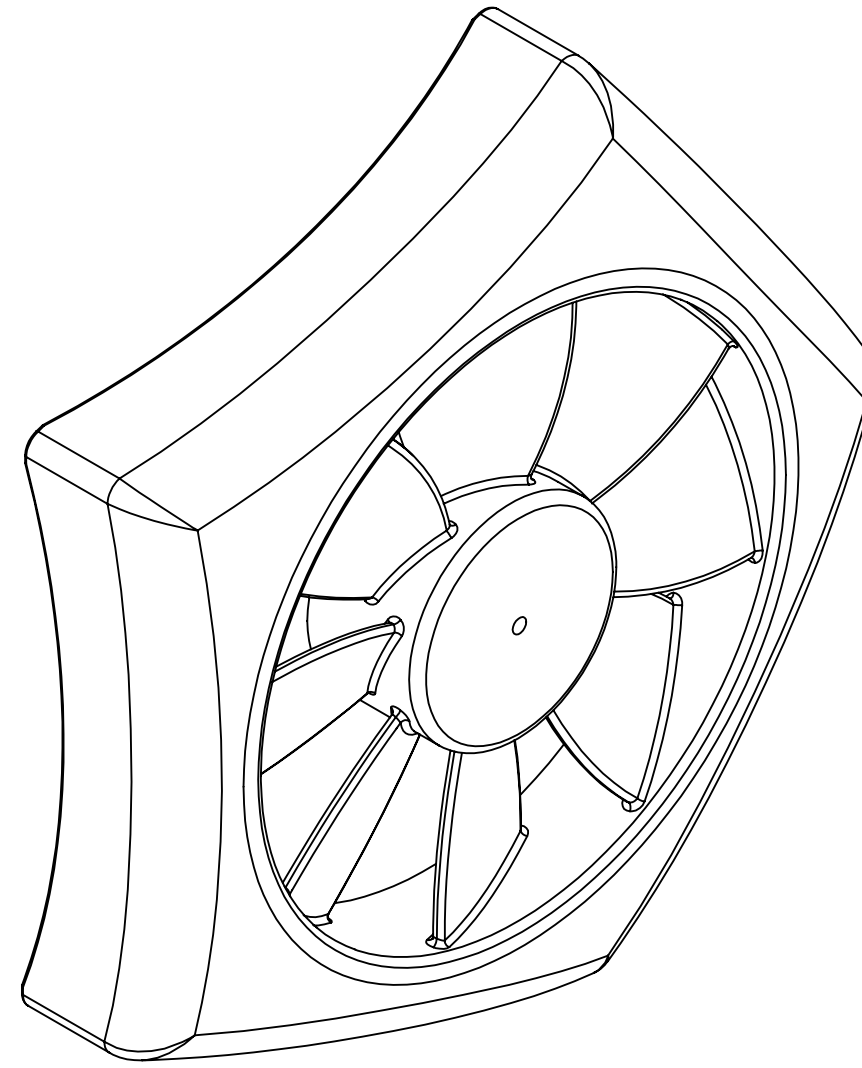


1/4" ROUND OVER TYP.



TOP CAP
SHEET 1 OF 2
SCALE = FULL



SECTION A-A
SCALE 1 : 2

