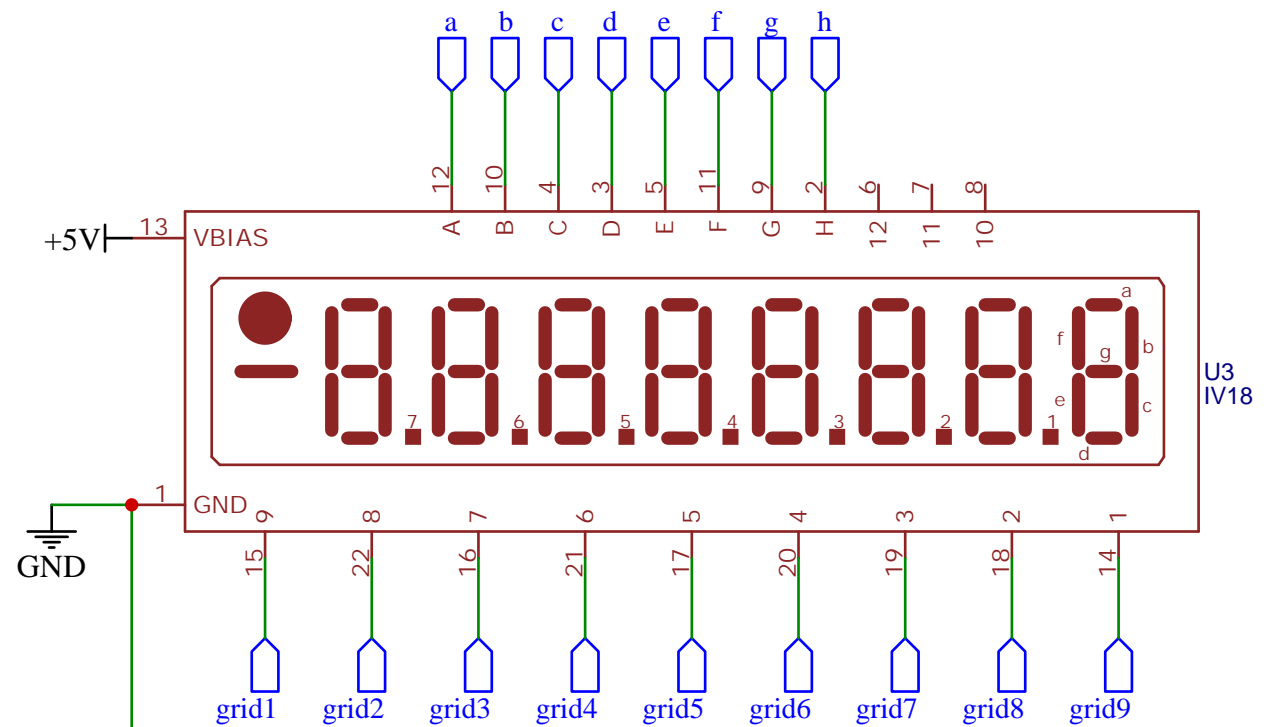
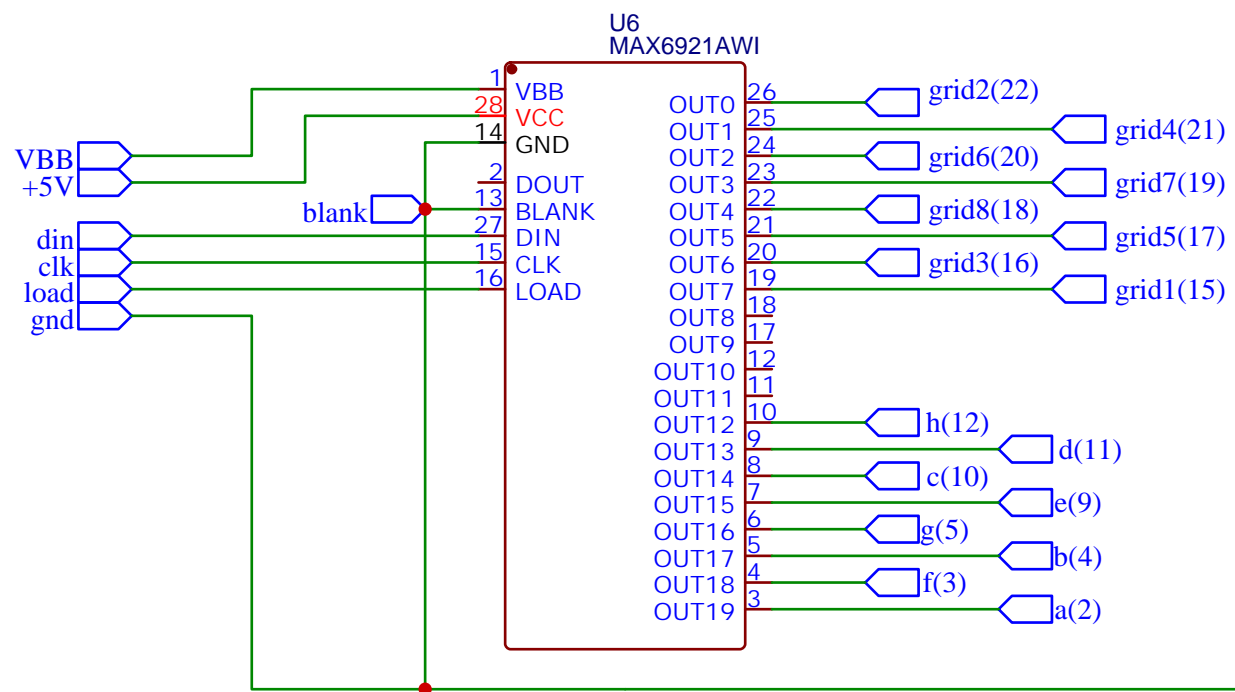


TITLE: Sheet_1		REV: 1.0
	Company: Your Company	Sheet: 1/1
	Date: 2020-01-17	Drawn By: asavelyev1955



TITLE: Sheet_2		REV: 1.0
	Company: Your Company	Sheet: 1/1
	Date: 2020-01-29	Drawn By: asavelyev1955