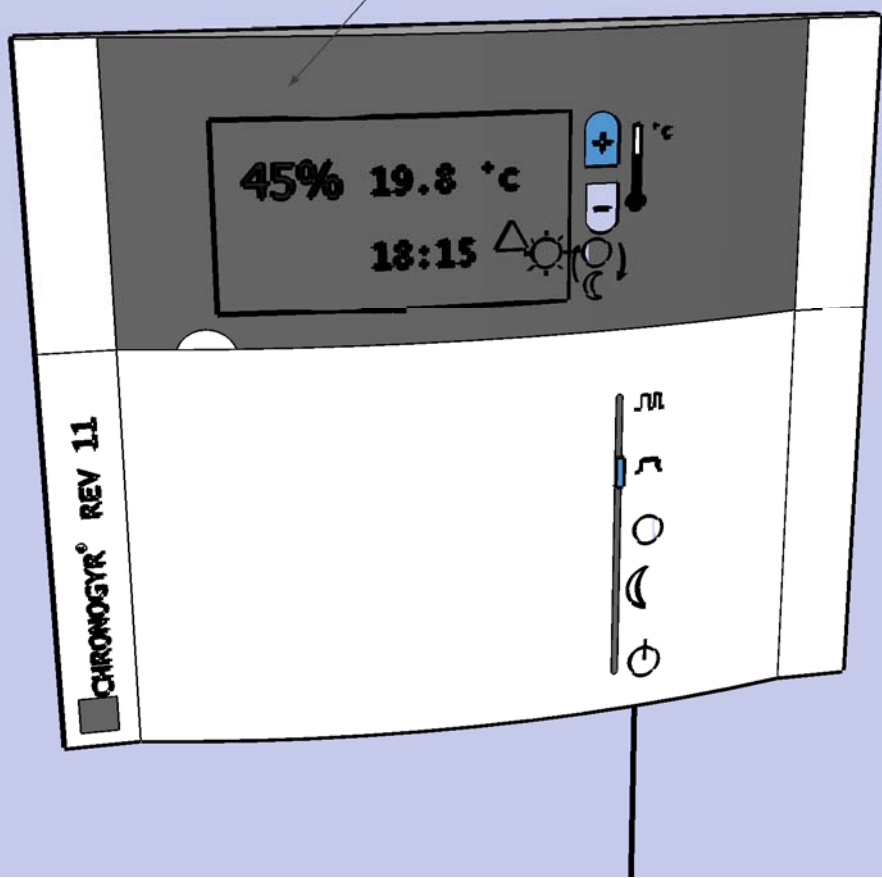
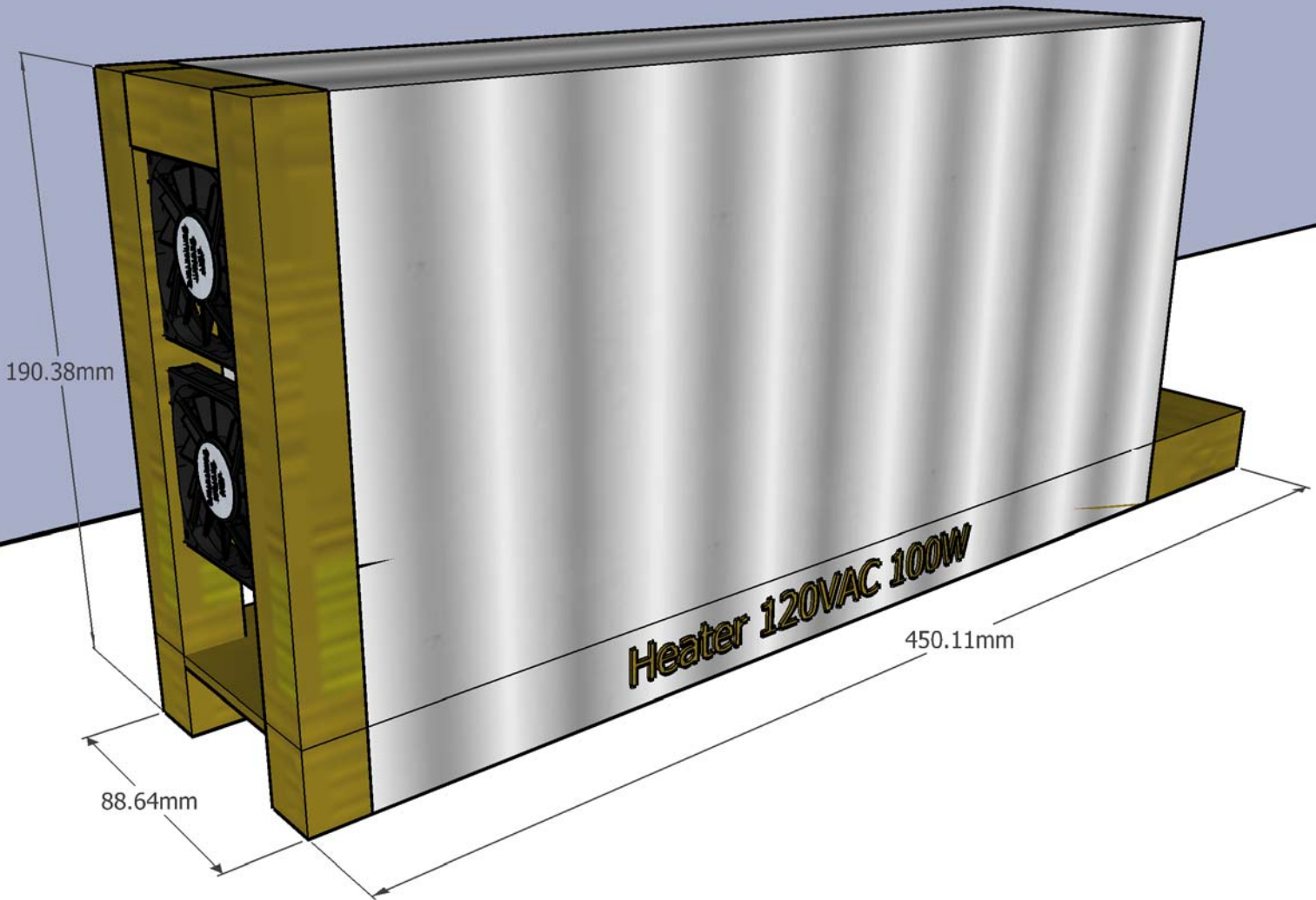
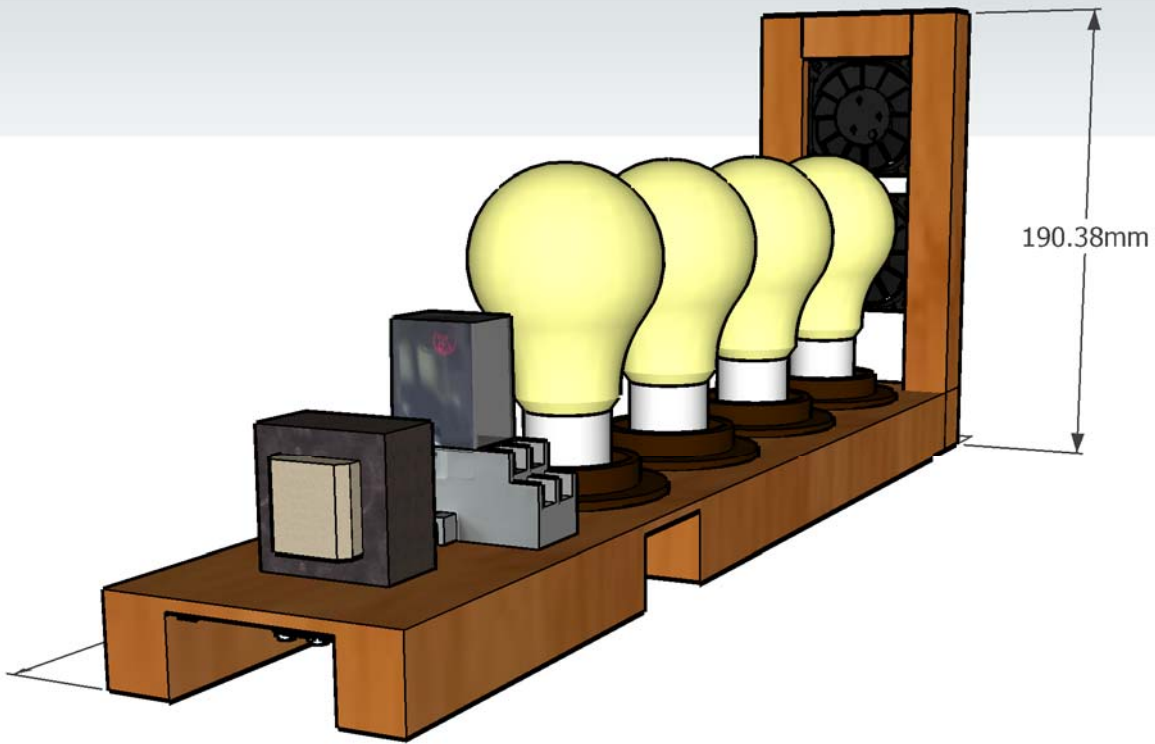
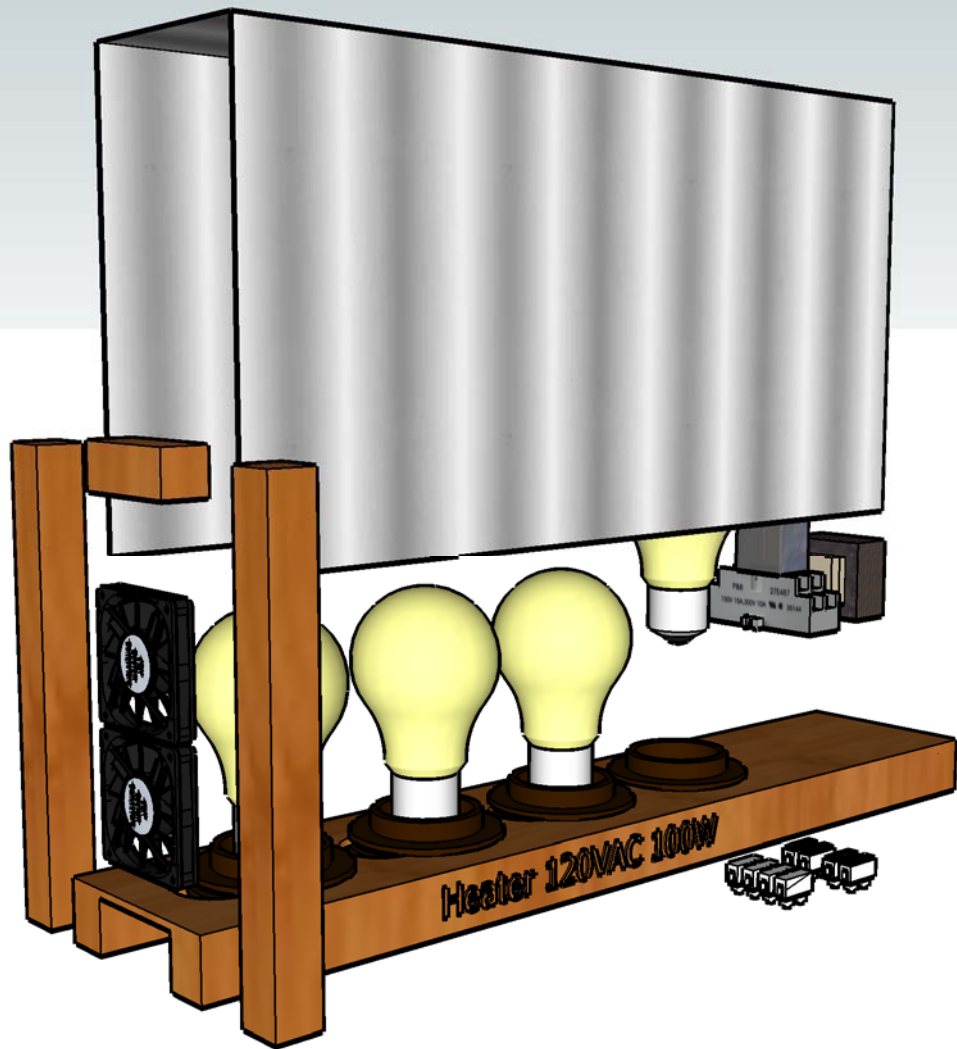


Thermostat with RH display and control

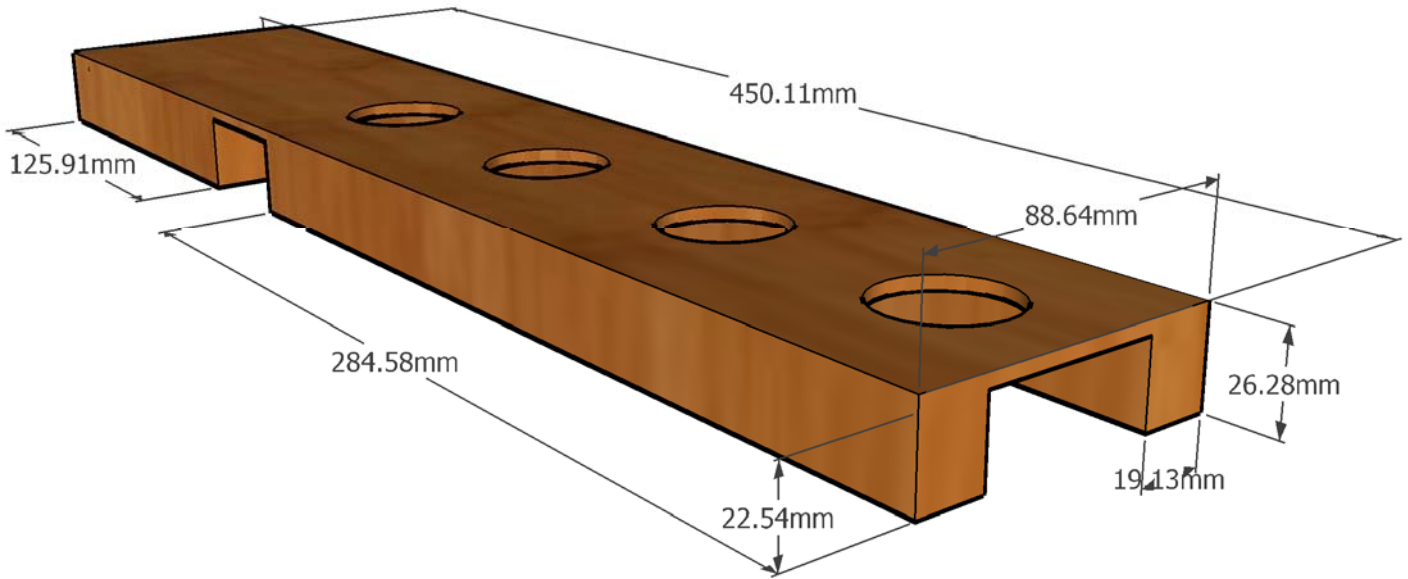


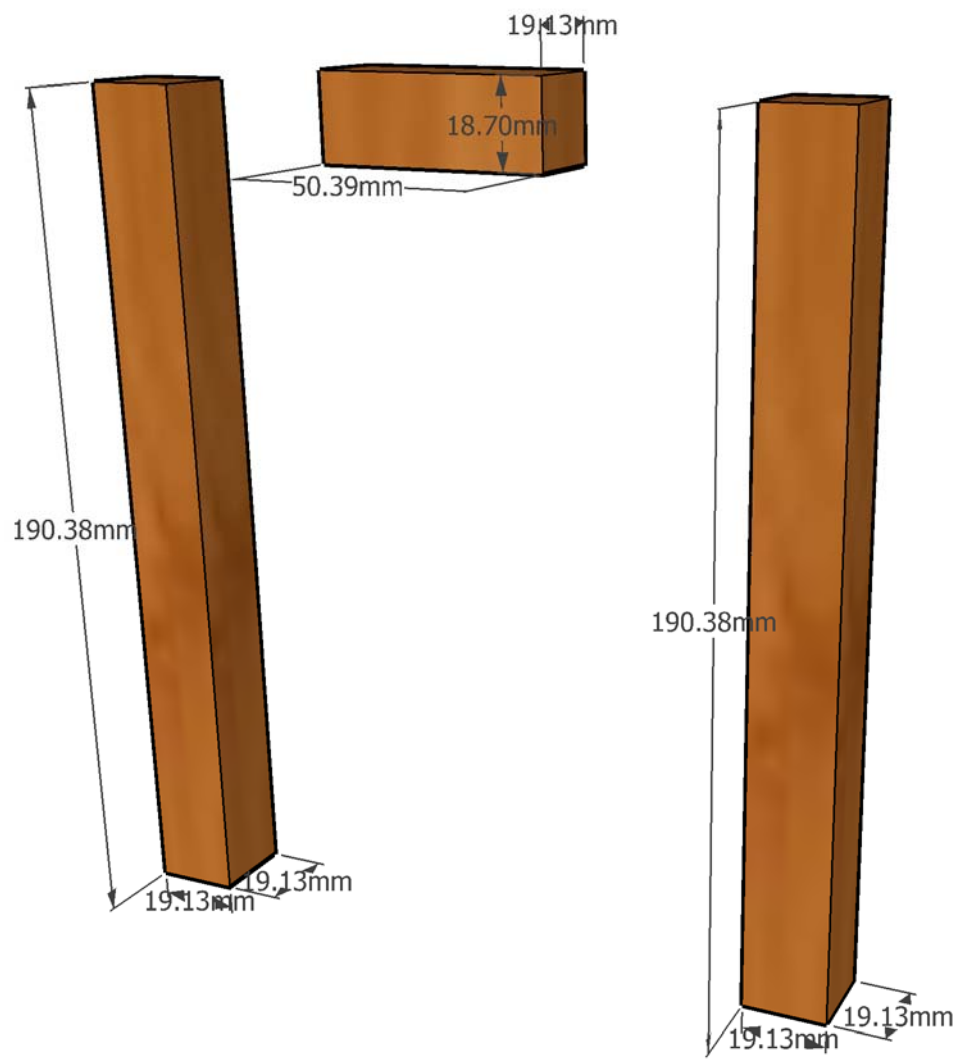


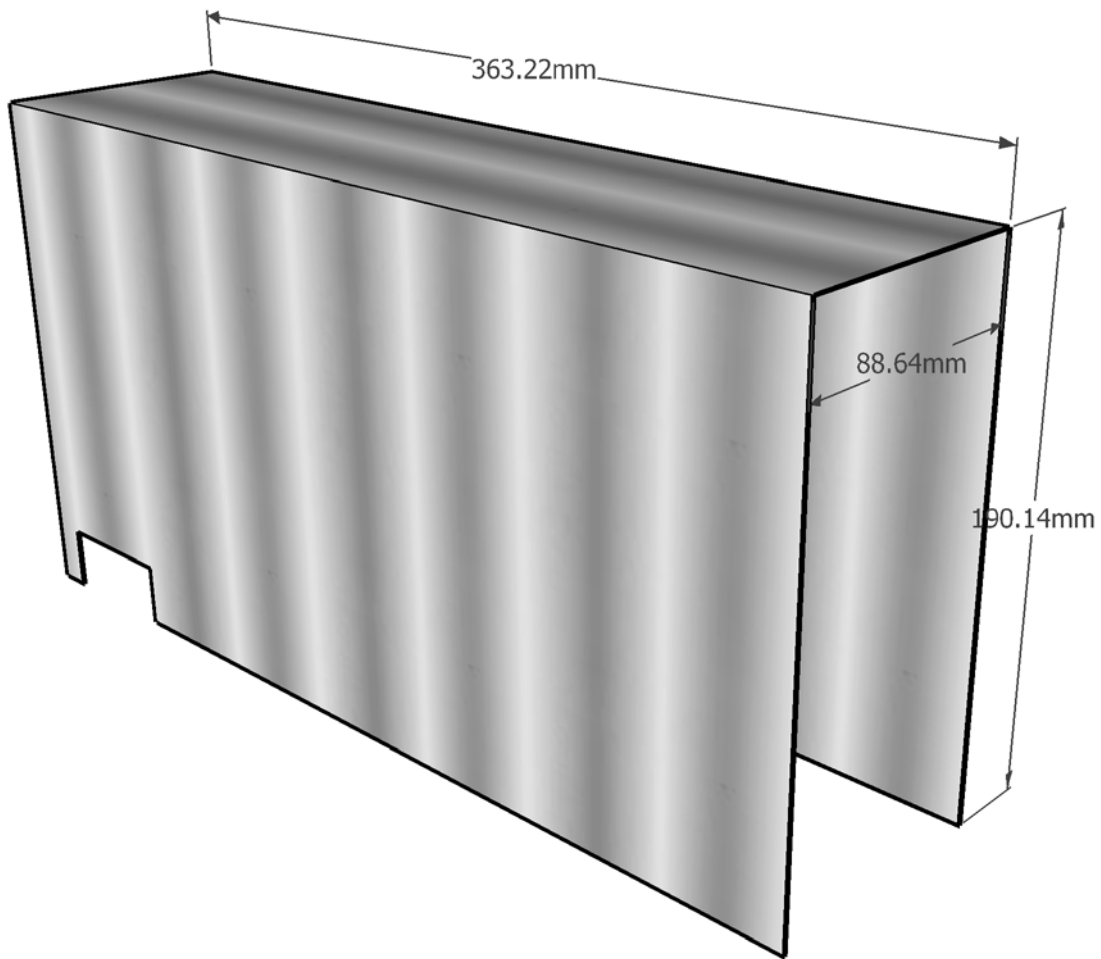




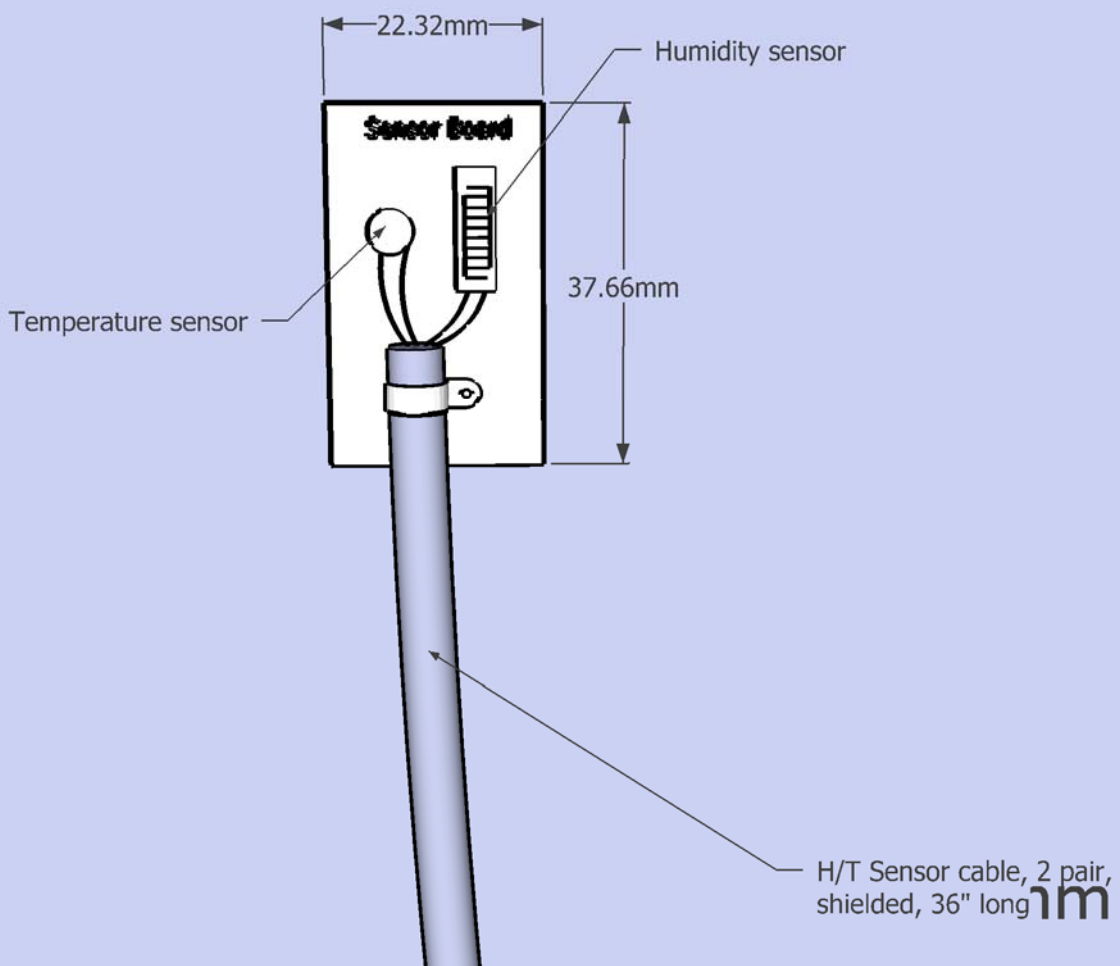
H/T Sensor cable, 2 pair,  
shielded, 36" long







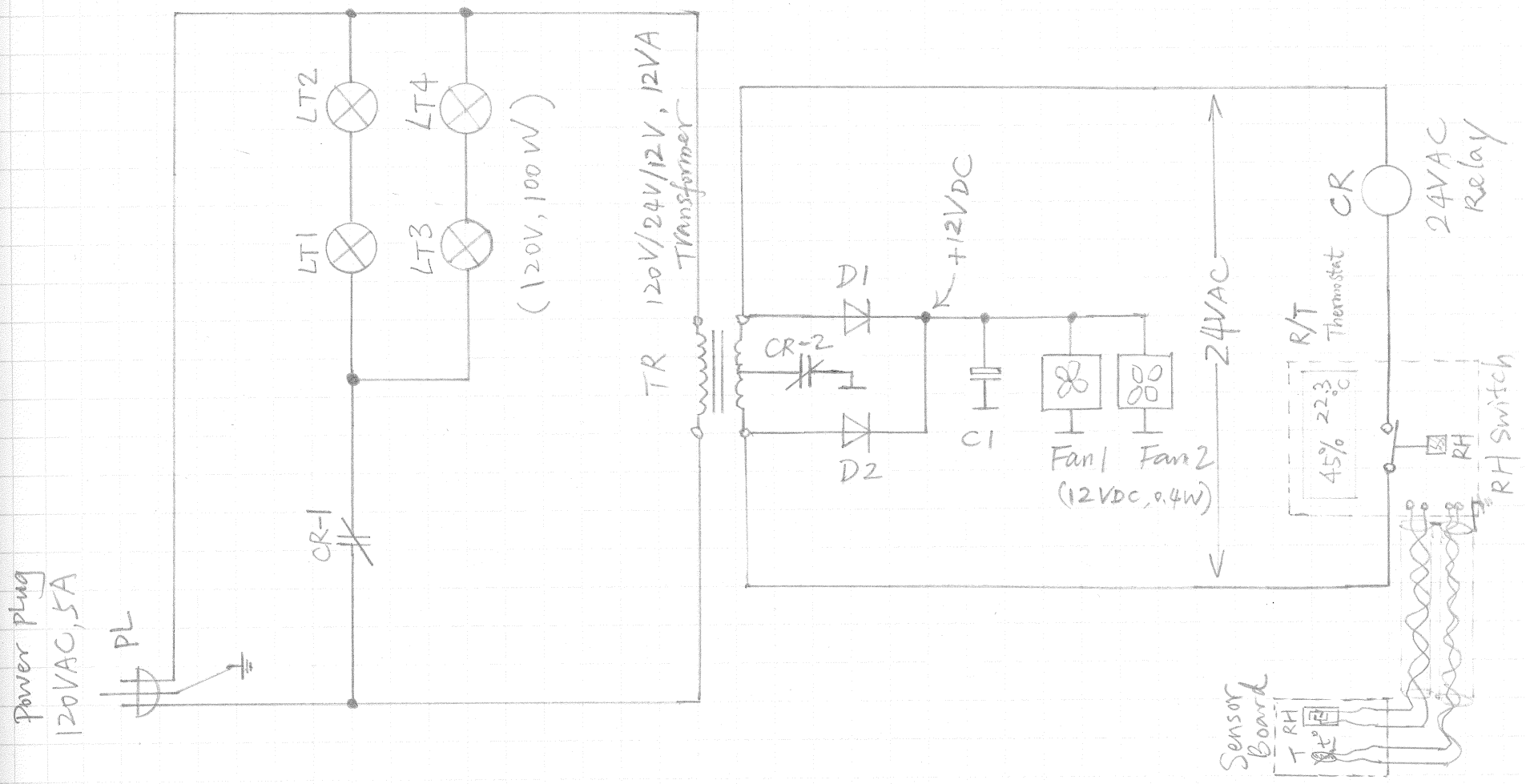




Apr. 2009

ATW © 2009

# Schematics of Piano RHC



QTY	Item #	Name	P/N	Description	Supplier	Unit price	Subtotal	My cost	Subtotal	Notes
1	R/T	RH controller		Thermostat with RH display and control	Canadian Tire	\$40.00	\$40.00	\$16.00	\$16.00	bought when it's on sale
1	TR	transformer	MT2232-ND	120/12/24VAC, 12VA	Digikey	\$10.00	\$10.00	\$0.00	\$0.00	salvage from a broken audio amplifier
1	CR	relay		24VAC relay with socket, 3SPDT, 5A 120VAC contacts	Digikey	\$10.00	\$10.00	\$0.00	\$0.00	stock
4	LT1~LT4	bulb		100W, 120VAC	Dolladama	\$0.32	\$1.28	\$0.32	\$1.28	
4		bulb socket		media base bulb socket	Home-depot	\$1.49	\$5.96	\$1.49	\$5.96	
2	D1, D2	diode	1N4001		Digikey	\$0.10	\$0.20	\$0.00	\$0.00	stock
1	C1	capacitor		25V 22uF	Digikey	\$0.10	\$0.10	\$0.00	\$0.00	stock
2	FAN1, FAN2	fan		12VDC, 1.4W brushless electric fan	Digikey	\$7.00	\$14.00	\$0.00	\$0.00	stock
1		Heater board		Custom made		\$2.00	\$2.00	\$0.00	\$0.00	from scrap
1		Heat shield		16x48" zinc coated sheet metal for heating duct	Home-depot	\$2.00	\$2.00	\$8.00	\$8.00	I didn't find the right
1		sensor board		Custom made		\$1.00	\$1.00	\$0.00	\$0.00	from scrap
1		1 pair cable		6'	Digikey	\$3.00	\$3.00	\$0.00	\$0.00	stock
1		2 pair shielded cable		6'	Digikey	\$3.00	\$3.00	\$0.00	\$0.00	stock
1		6' power cord			Digikey	\$2.00	\$2.00	\$0.00	\$0.00	salvage from a broken audio amplifier
8		terminal blocks			Digikey	\$0.50	\$4.00	\$0.00	\$0.00	stock
						Total:	\$98.54	My actual total cost:	\$31.24	