

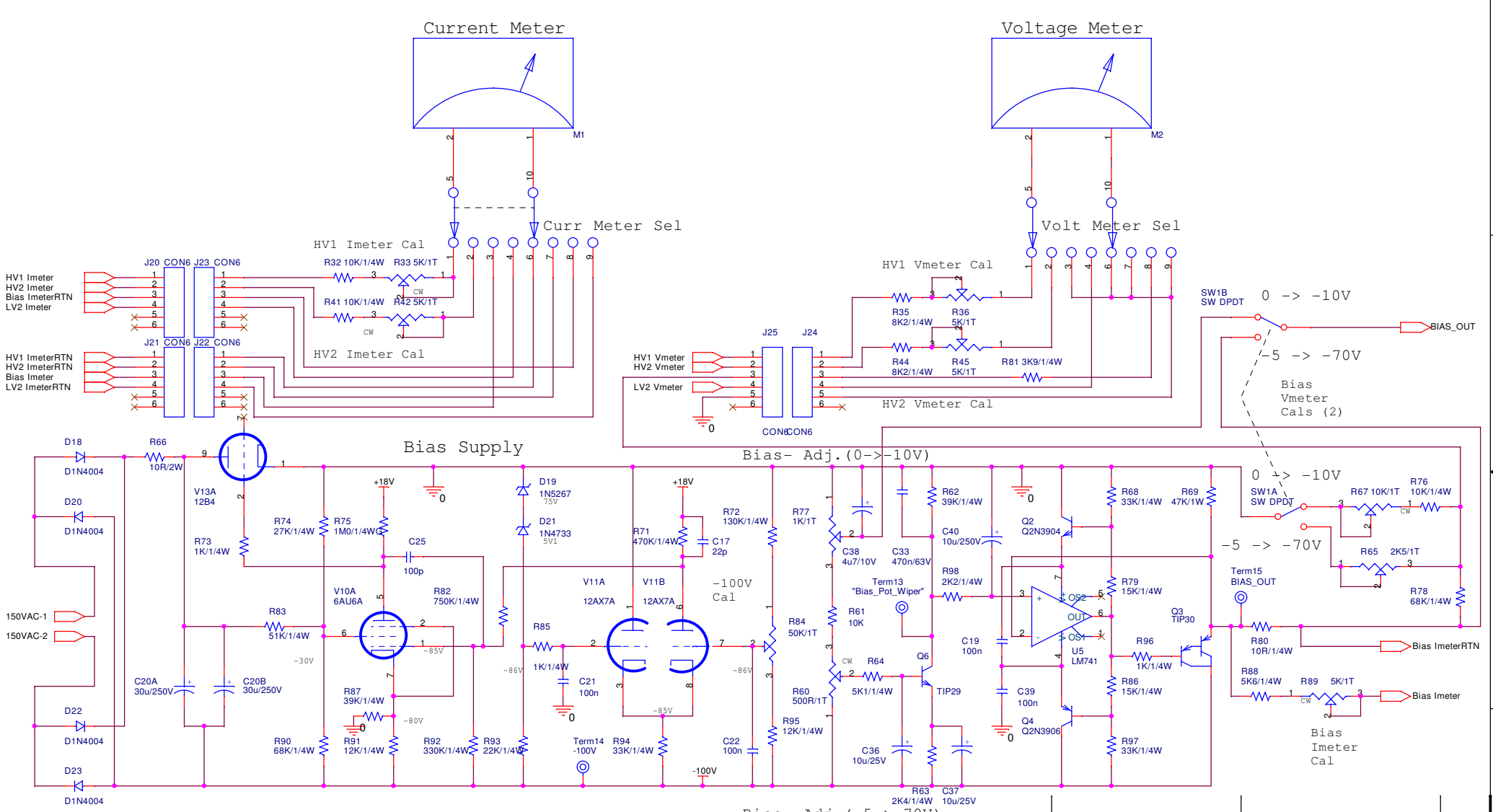
The information on this drawing is proprietary and may not be copied or transmitted in any way without the written permission of Basin St. Design

ECO No.	Date	By
---------	------	----

Basin St. Design


The information contained in this drawing is free for use under the Attribution-NonCommercial-Share Alike 2.5 Generic license.

Project Name/Client	BSD	Title:	Tube Power Supply	PCB Ver.:	n/a	Rls Date:
Project no.:	0009	Designed:	T. Bowland	Drwn:	T. B.	Initials:
Date:	Saturday, July 02, 2011	File Ref:	TubePowerSupply-1.dsn	Sheet:	1 of 3	

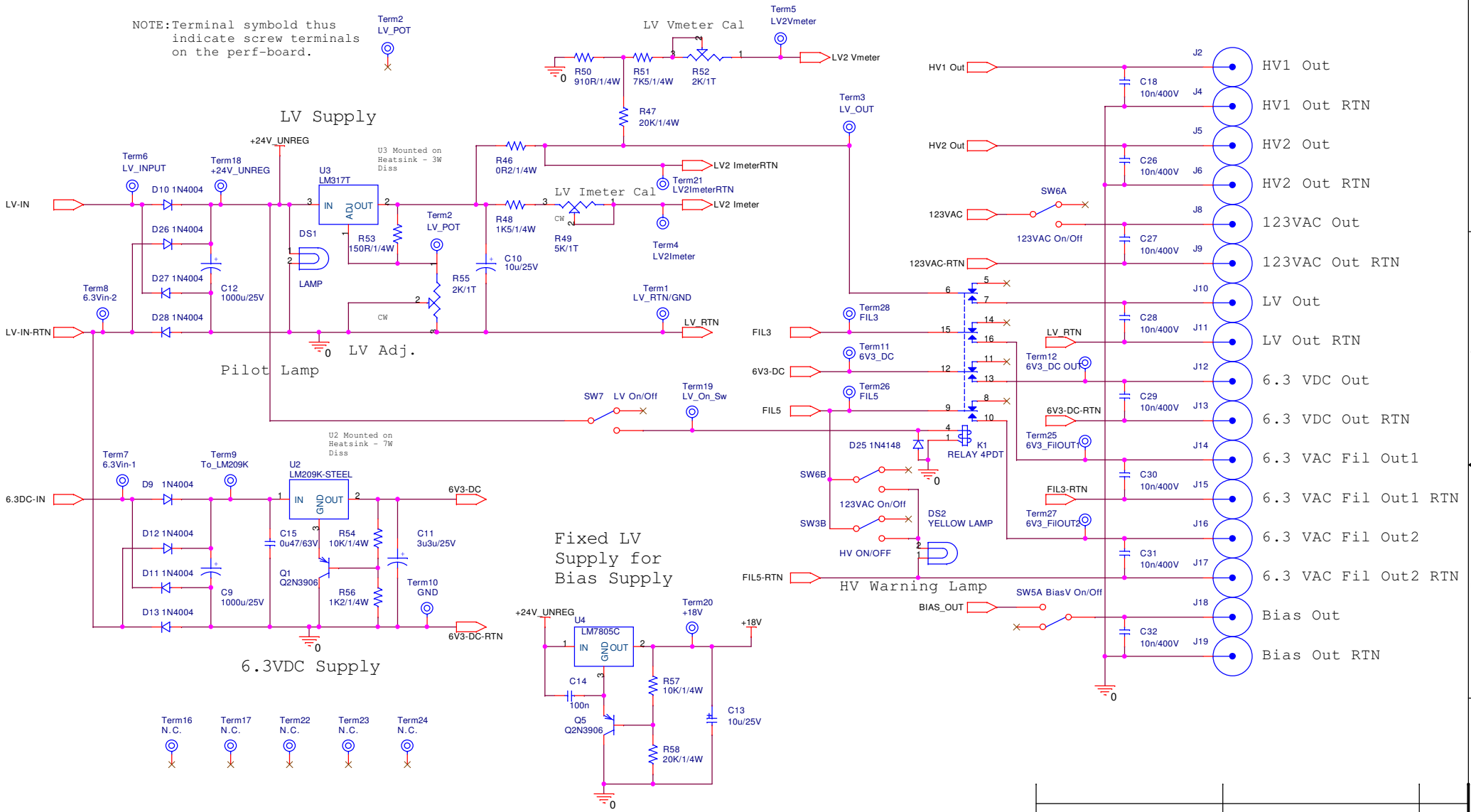


The information on this drawing is proprietary and may not be copied or transmitted in any way without the written permission of Basin St. Design

ECO No.	Date	By
---------	------	----

 <p>The information contained in this drawing is free for use under the Attribution-Noncommercial-Share Alike 2.5 Generic License.</p>	Project Name/Client	BSD	Title:	Tube Power Supply	PCB Ver.:	n/a	RI's Date:
	Project no.:	0009	Designed:	T. Bowland	Drwn:	T. B.	Initials:
	Date:	Tuesday, December 11, 2012	File Ref:	TubePowerSupply-1.dsn	Sheet:	2 of 3	

NOTE: Terminal symbols thus indicate screw terminals on the perf-board.



The information on this drawing is proprietary and may not be copied or transmitted in any way without the written permission of Basin St. Design

ECO No.	Date	By
---------	------	----

Basin St. Design

The information contained in this drawing is free for use under the Attribution-NonCommercial-Share Alike 2.5 Generic license.

Project Name/Client	BSD	Title:	Tube Power Supply	PCB Ver.:	n/a	RLS Date:
Project no.:	0009	Designed:	T. Bowland	Drwn:	T. B.	Initials:
Date:	Saturday, July 02, 2011	File Ref:	TubePowerSupply-1.dsn B	Sheet:	3 of 3	