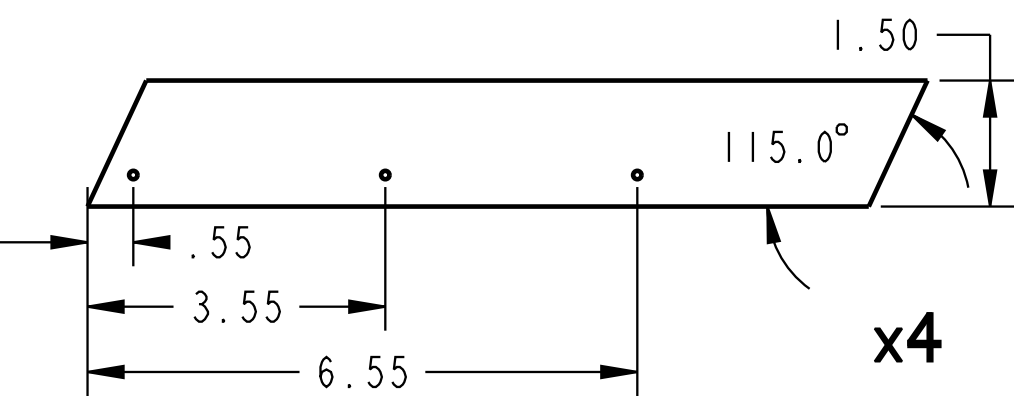
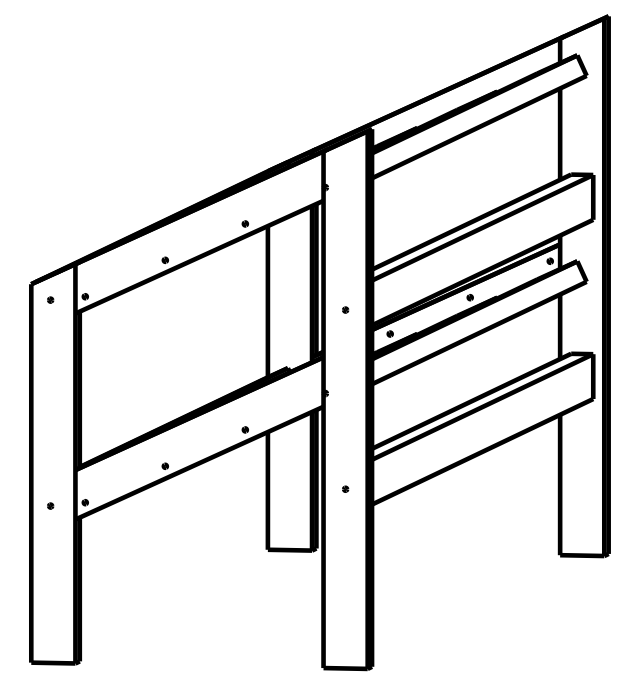
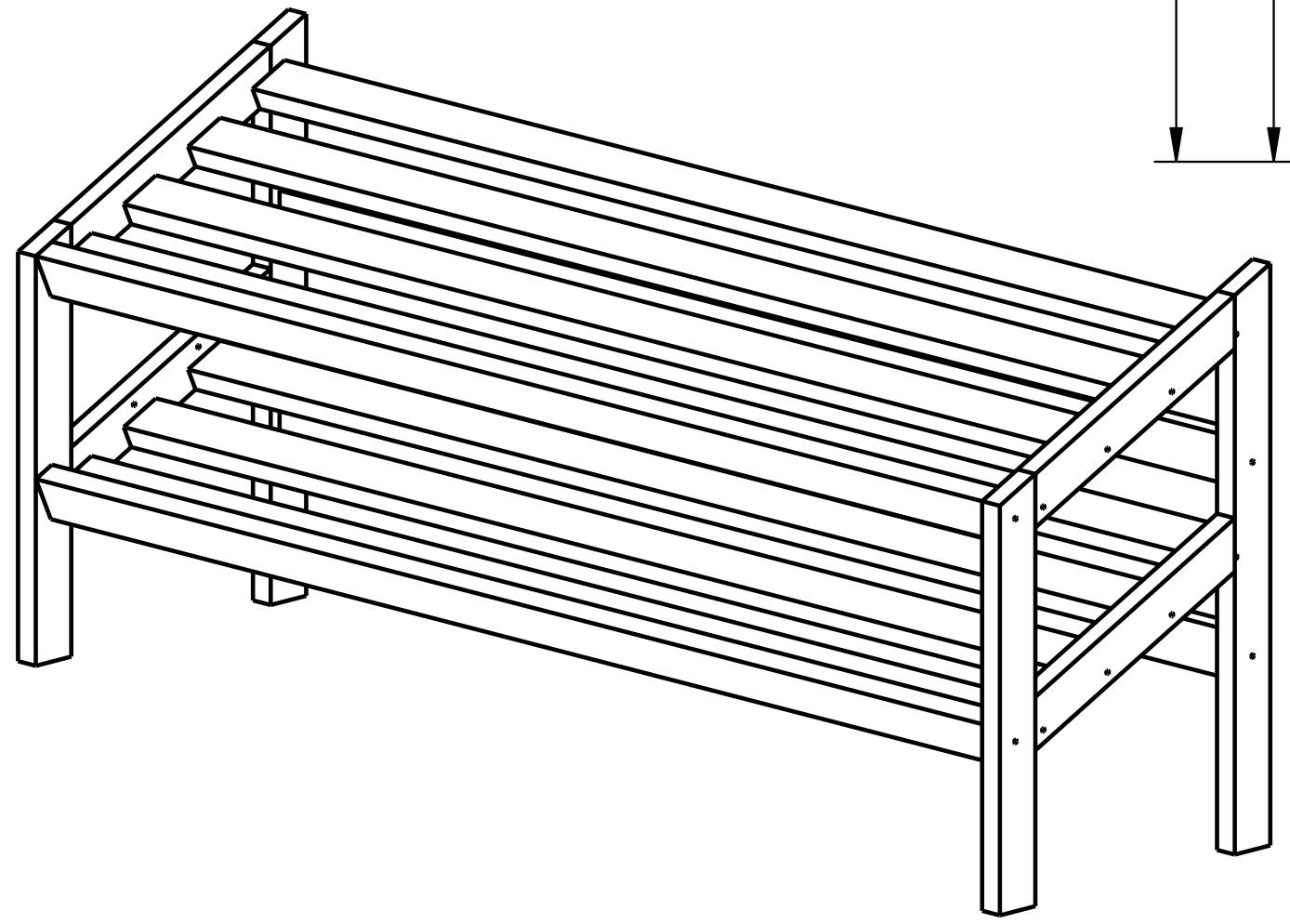
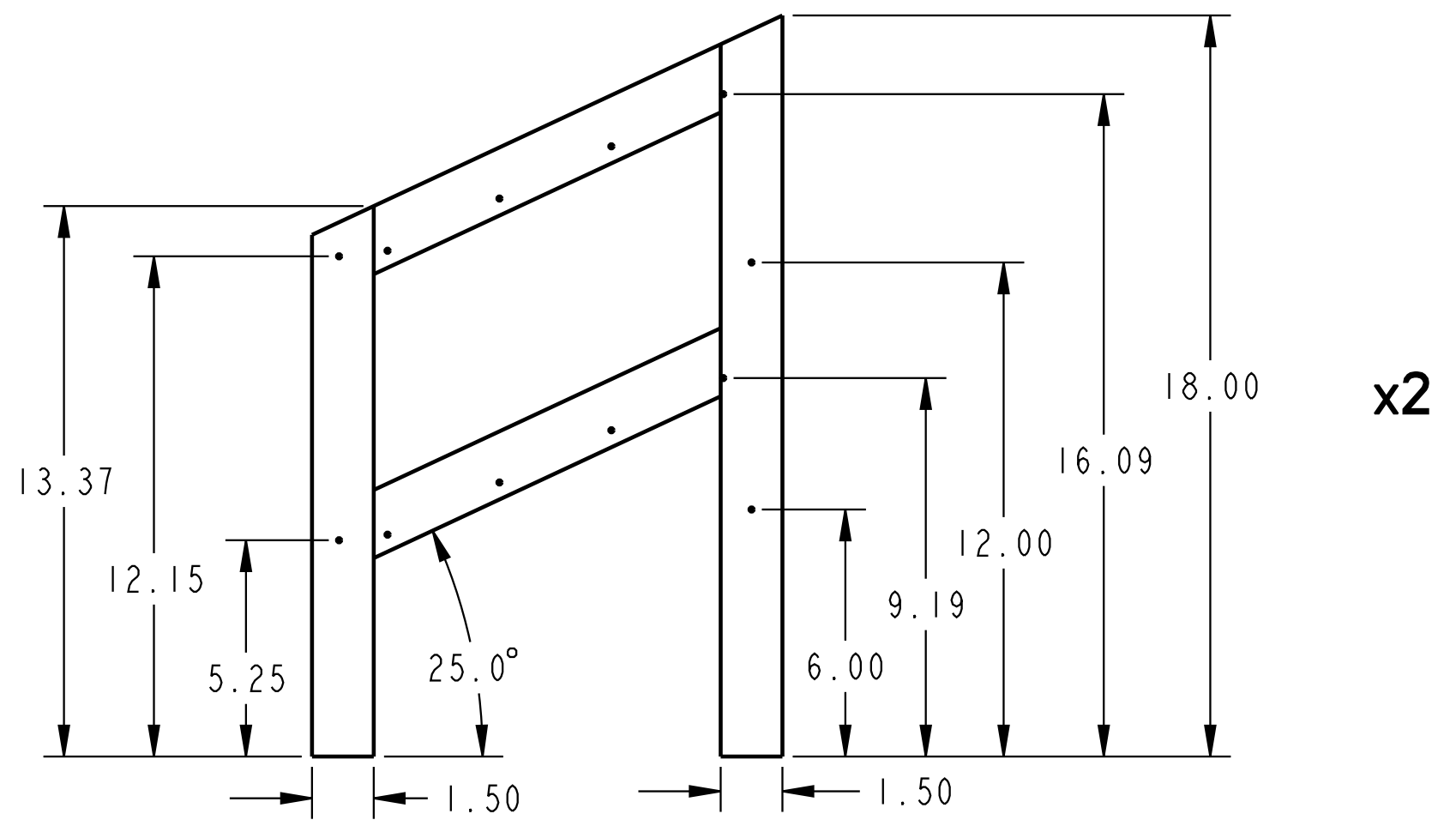
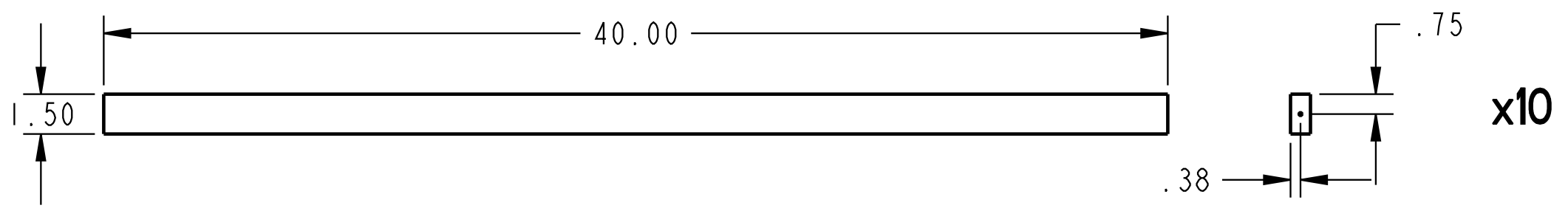


NOTES:

- 1) Shoe rack is constructed from four unique pieces.
- 2) Screw pilot holes are to be drilled using a template - locating dimensions shown here are for reference only.
- 3) Design assumes a hardwood construction. If softer wood is used, cross bracing may be required for structural stability.



Shoe Rack 2011
J. Grossman
February, 2011