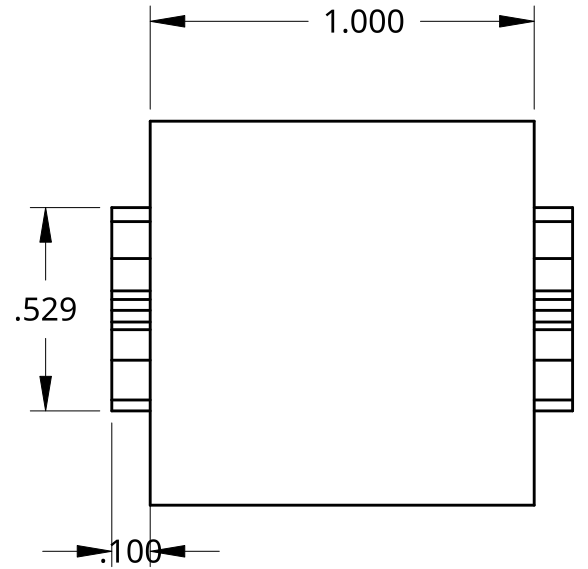
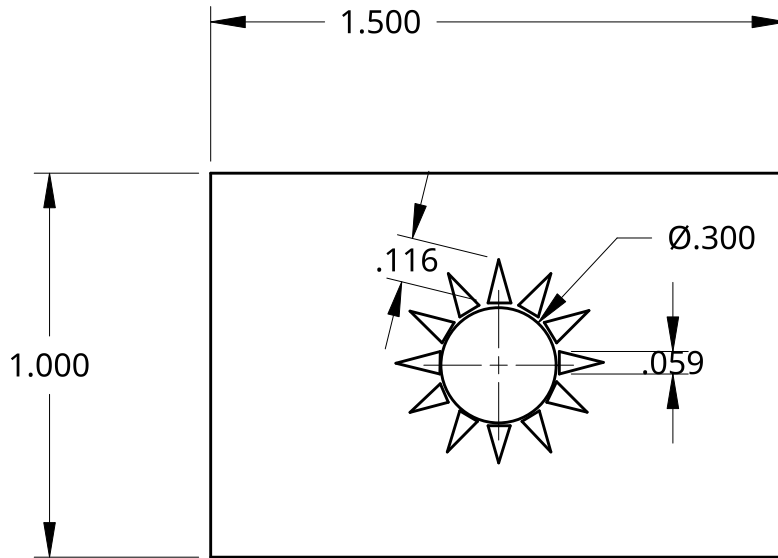


2

1

B

B



A

A

UNLESS OTHERWISE SPECIFIED, DIMENSIONS ARE IN INCHES .XX = ±.0- .XXX = ±.00- .XXXX = ±.000- SURFACE FINISH		NAME	DATE		
	DRAWN	EFE GOCMEN	12/17/2025	TITLE KMT FLAG	
	CHECKED				
	APPROVED				
DO NOT SCALE DRAWING					
BREAK ALL SHARP EDGES AND REMOVE BURRS					
THIRD ANGLE PROJECTION	MATERIAL	FINISH		SIZE A	DWG NO.
				SCALE 2:1	WEIGHT
				SHEET	1 of 1
				REV.	

2

1