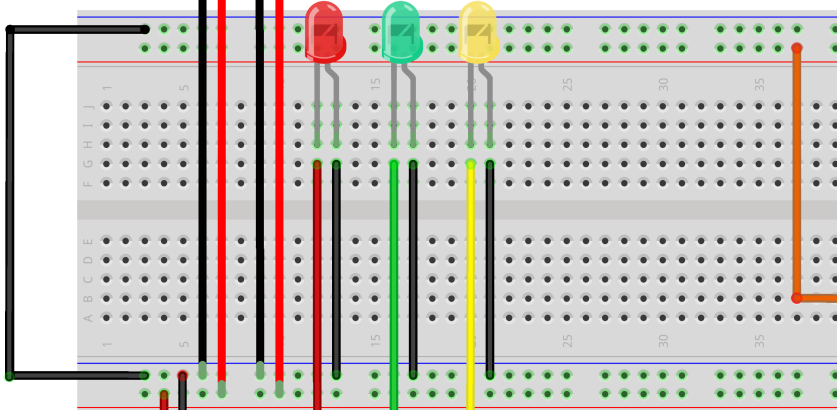


Inductive LEFT sensor
LJ30A3-15

Inductive RIGHT sensor
LJ30A3-15

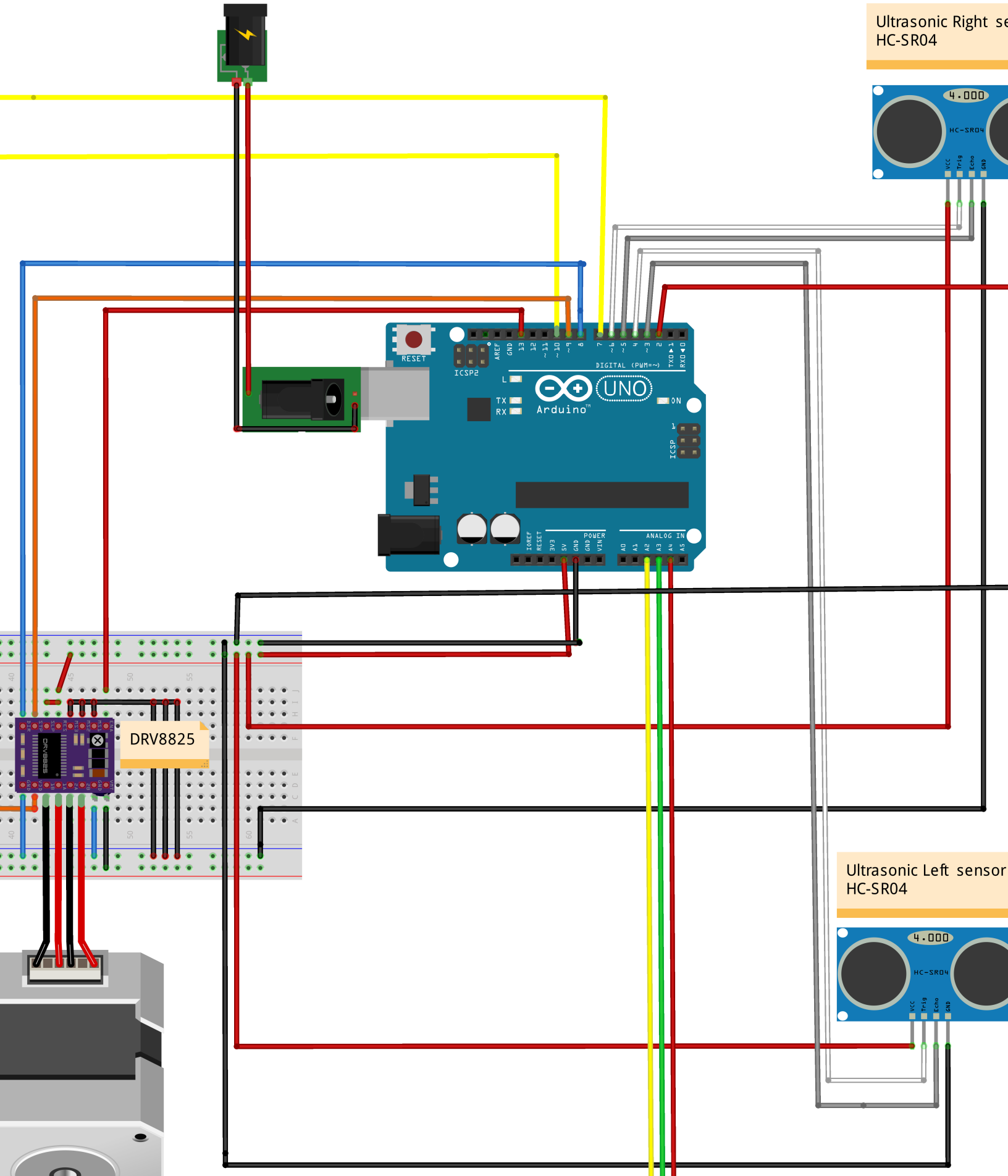


NEMA17
stepper motor



5V power supply
USB cable to computer or
5V adapter to power grid

Ultrasonic Right sensor
HC-SR04



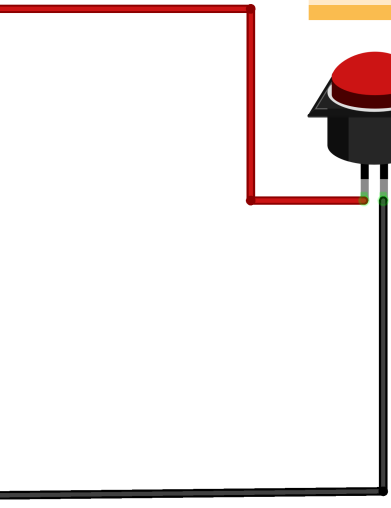
DRV8825

Ultrasonic Left sensor
HC-SR04

ensor

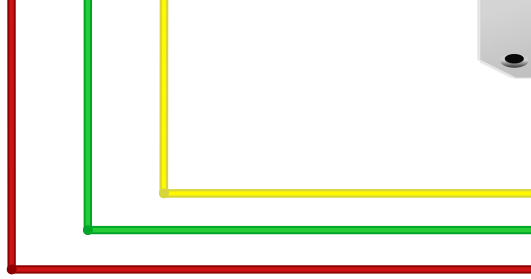


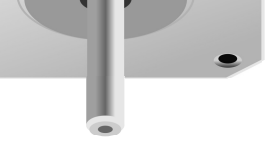
Button



ensor







fritzing