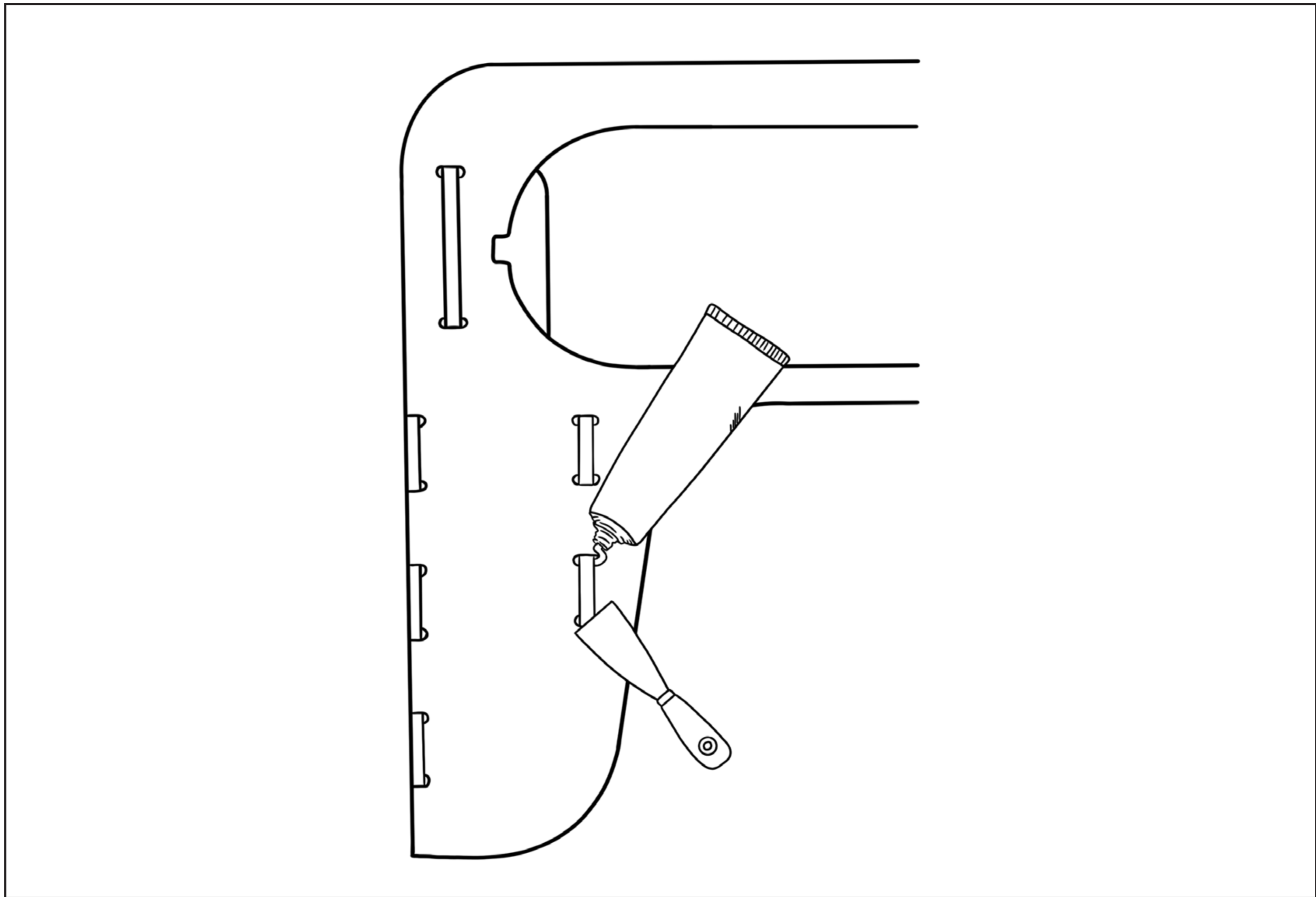


13

Items: Tray, wood putty, sanding sealer



Seal the holes with wood putty and let it dry for about half an hour.