

THE STORY HAT

please read all instructions before starting

tools needed;

x-acto knife to cut and score paper

ruler to measure and cut dowels

glue for dowel slots

saw to cut dowels

materials needed;

20x30" illustration board

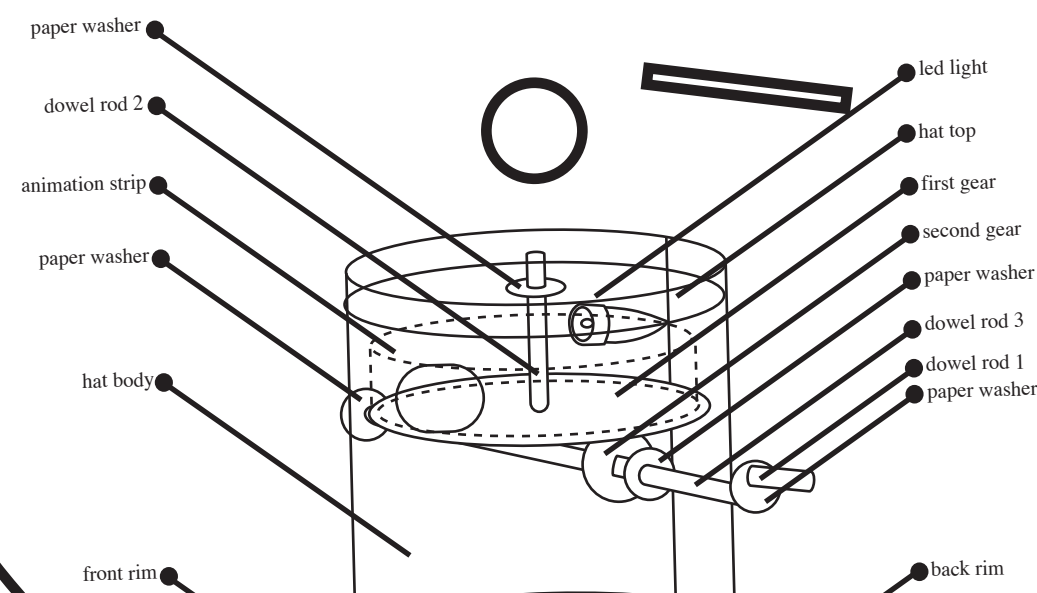
1/2" diameter dowel rod

led clip on light

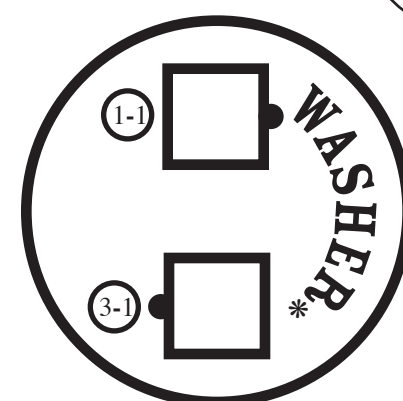
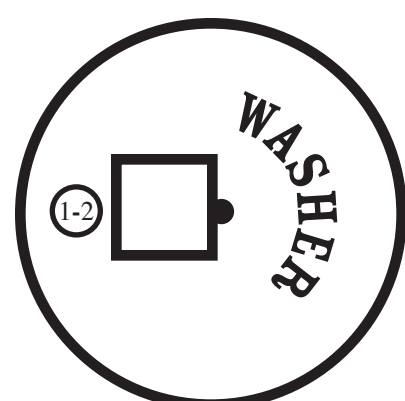
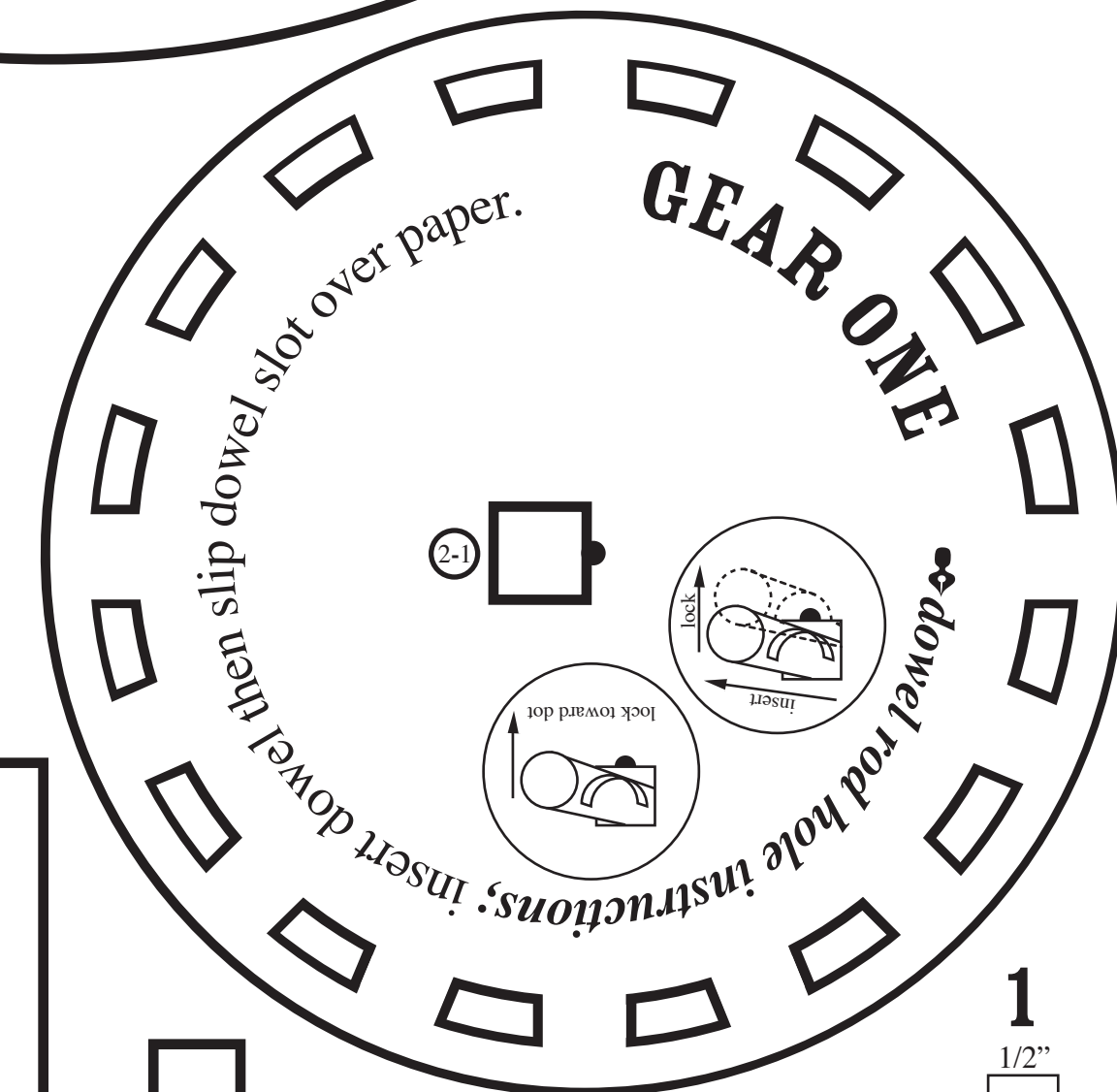
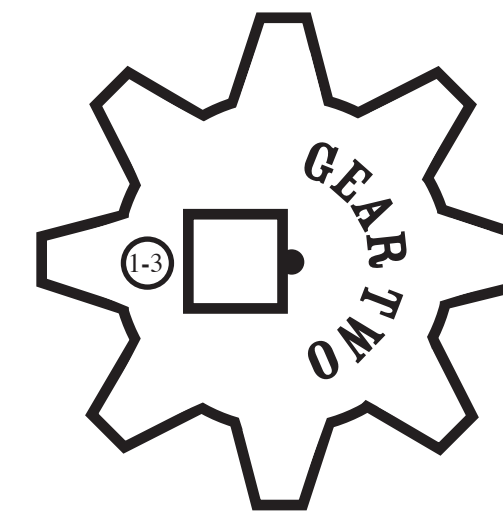
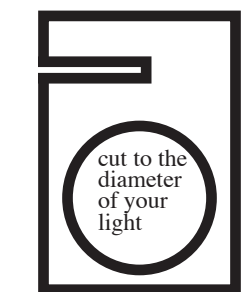
tab instructions; insert numbered tabs into corresponding numbered holes.

line instructions; solid tick lines you cut and dotted lines you score and fold.

hat detail;

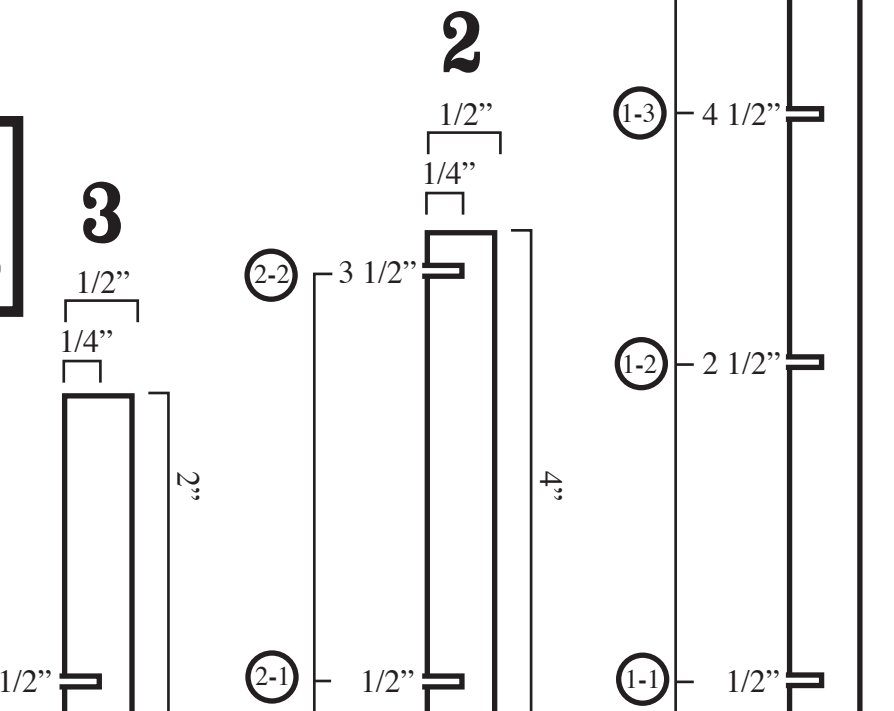


LED light holder



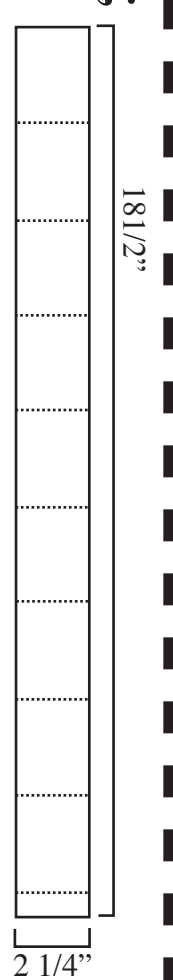
DOWEL RODS

dowel measurements;
find the correct dowel diameter, cut to length, and cut slots at correct lengths.
match numbered slots to corresponding numbered holes.
use glue to secure lock between slot and hole.



animation strip instructions;

the animation can be divided up into nine 2" wide sections on the strip.
the animation strip will need to be taped to the edge of the first gear.
animation strip dimensions;



HAT BODY

