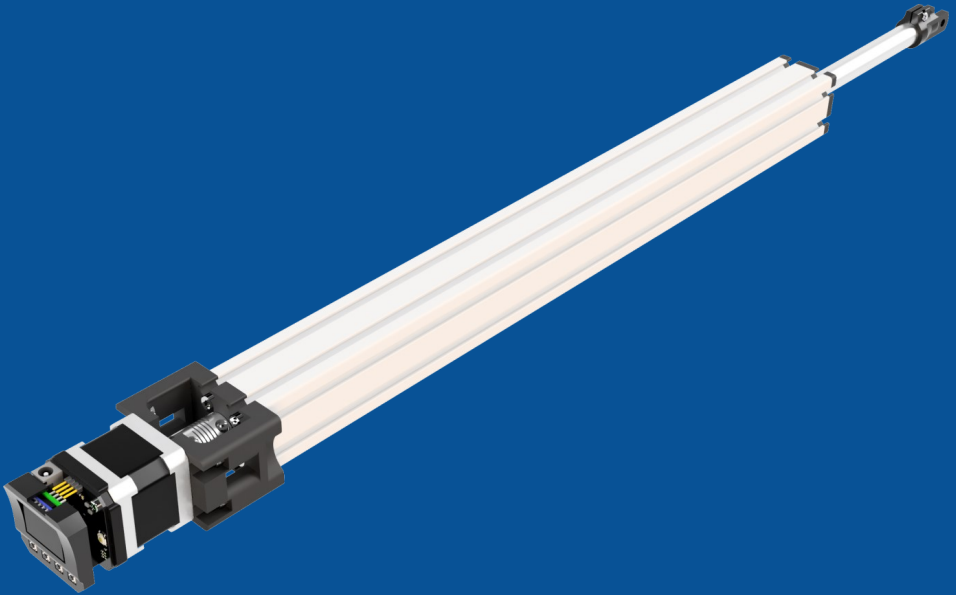


# **uStepper** Linear Actuator

---

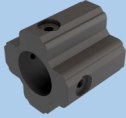


# Bill Of Materials

---

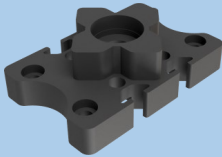
1

1 x



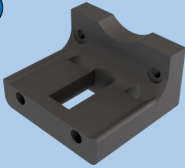
2

1 x



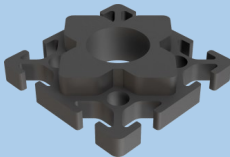
3

2 x



4

1 x



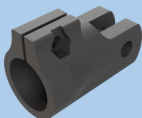
5

1 x

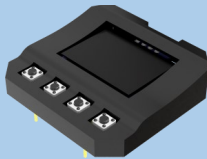


6

1 x



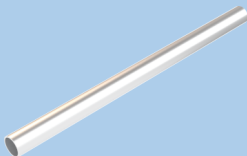
# Bill Of Materials



1 x uStepper Ego Shield S



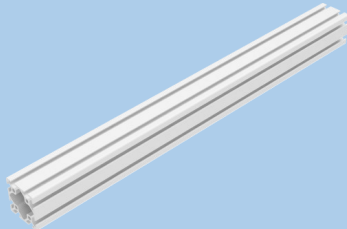
1 x uStepper S w. motor



1 x Tube 15 mm x 470 mm



1 x M8 rod x 470 mm



1 x 40x40 I-type slot 5, 450 mm



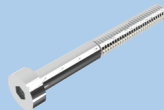
1 x 20x25 mm 5/8 mm bore



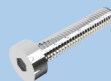
2 x F8-16M Bearing



5 x M3 x 10 mm



4 x M4 x 35 mm



8 x M5 x 20 mm



1 x M3 SL nut



4 x M4 SL nut



1 x M8 SL nut



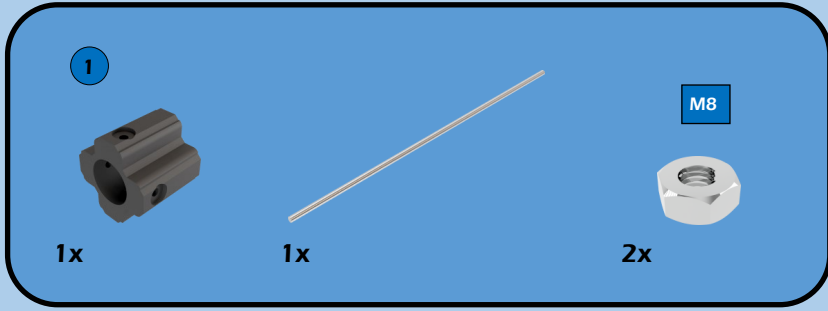
2 x M8 nut



4 x 3.5x10 mm screw

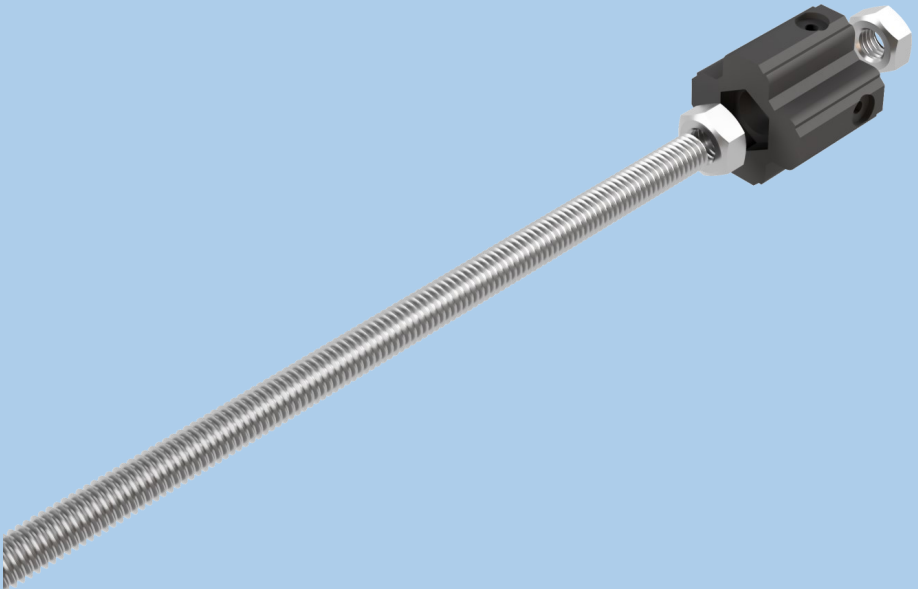
# **Linear Actuator Assembly**

---

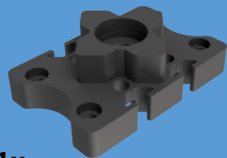


1

**Make sure the two M8 nuts sit tight in the plastic slider when screwed onto the M8 rod**



2



1x



2x

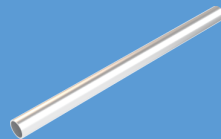
M8SL



1x

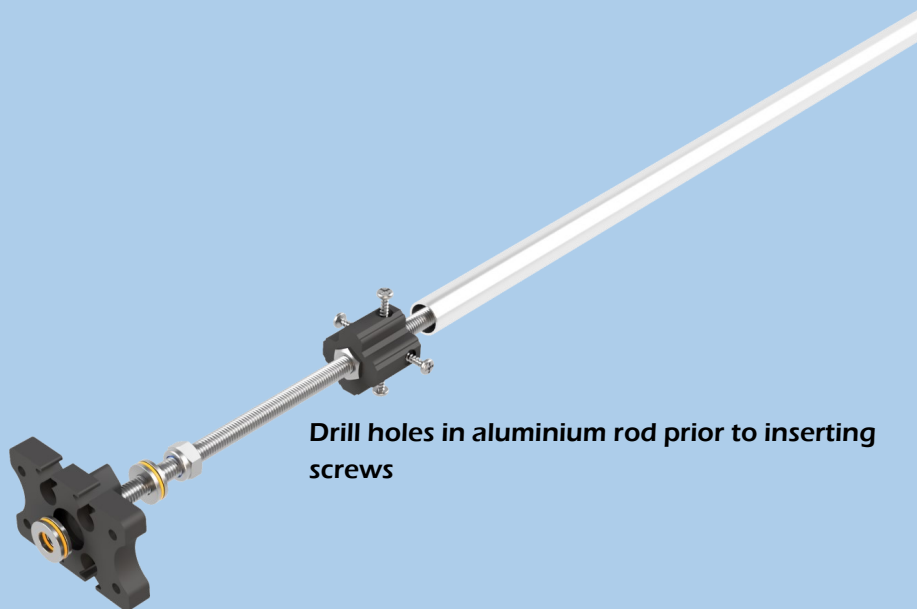


4x



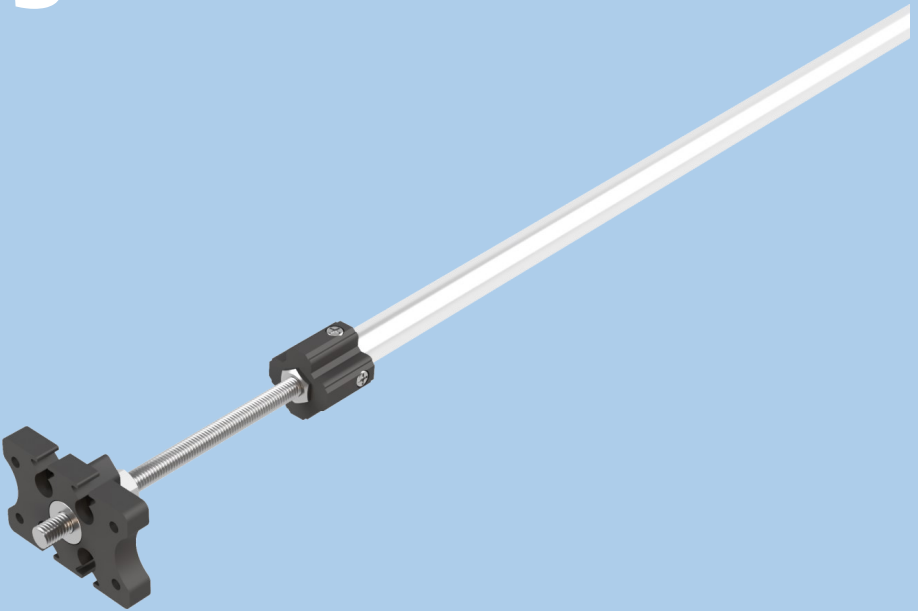
1x

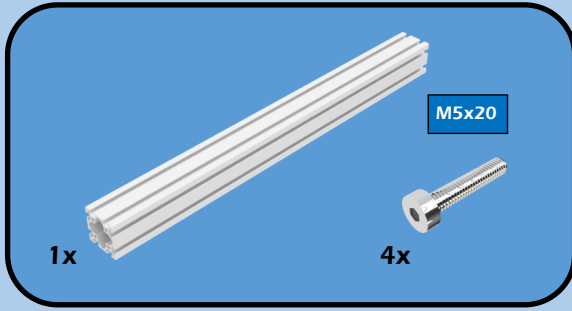
2



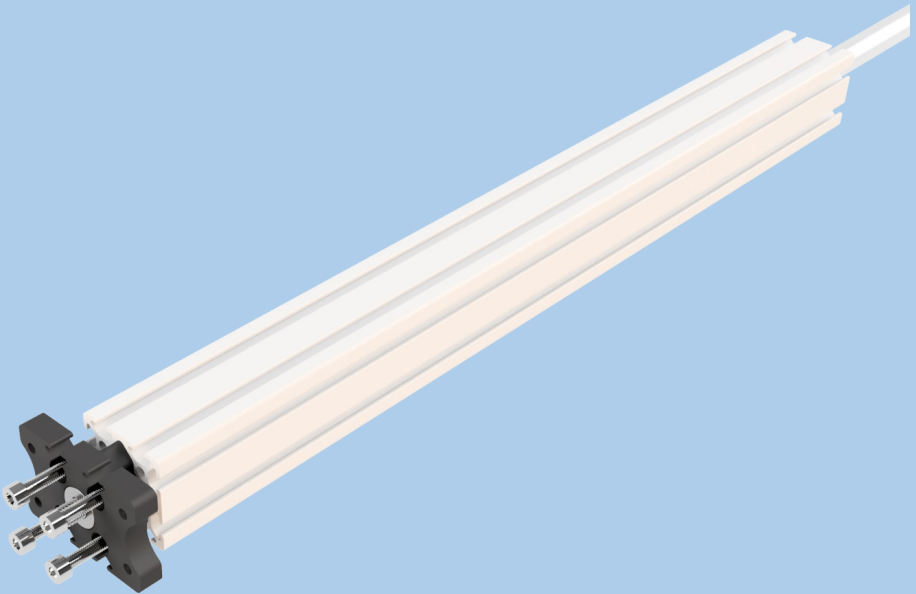
**Drill holes in aluminium rod prior to inserting screws**

3

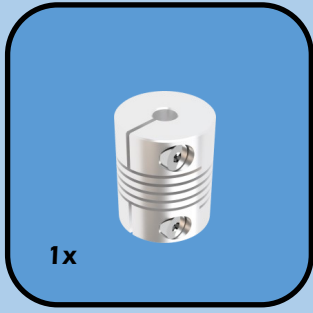




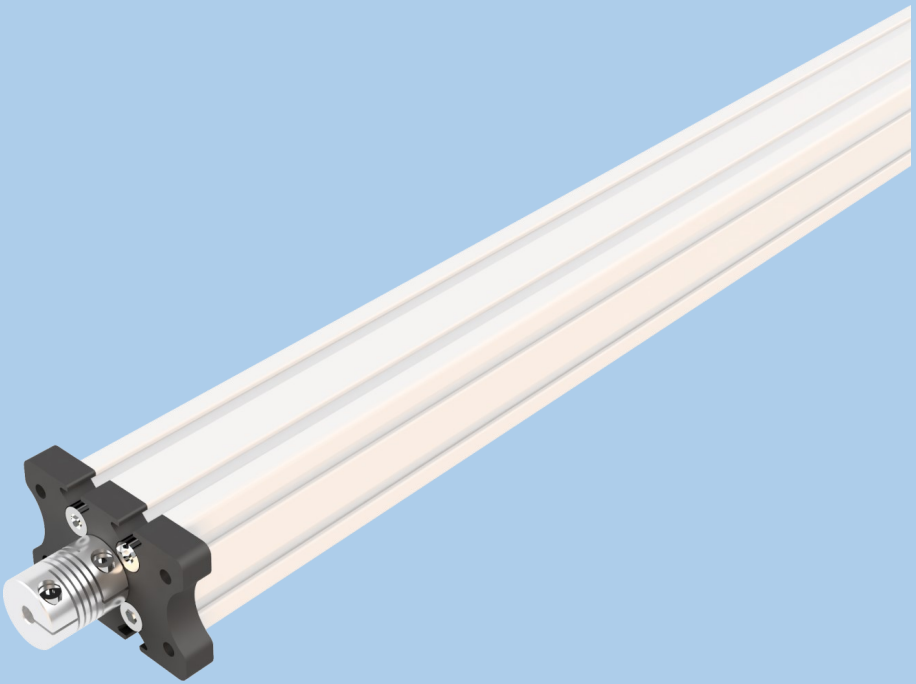
4

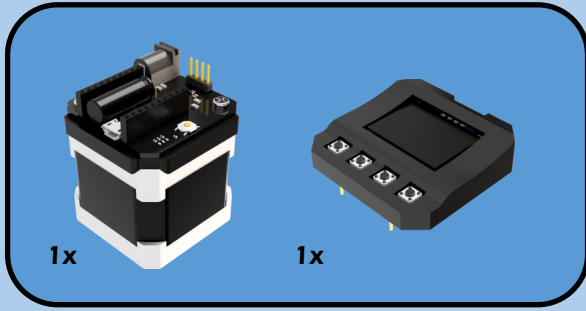




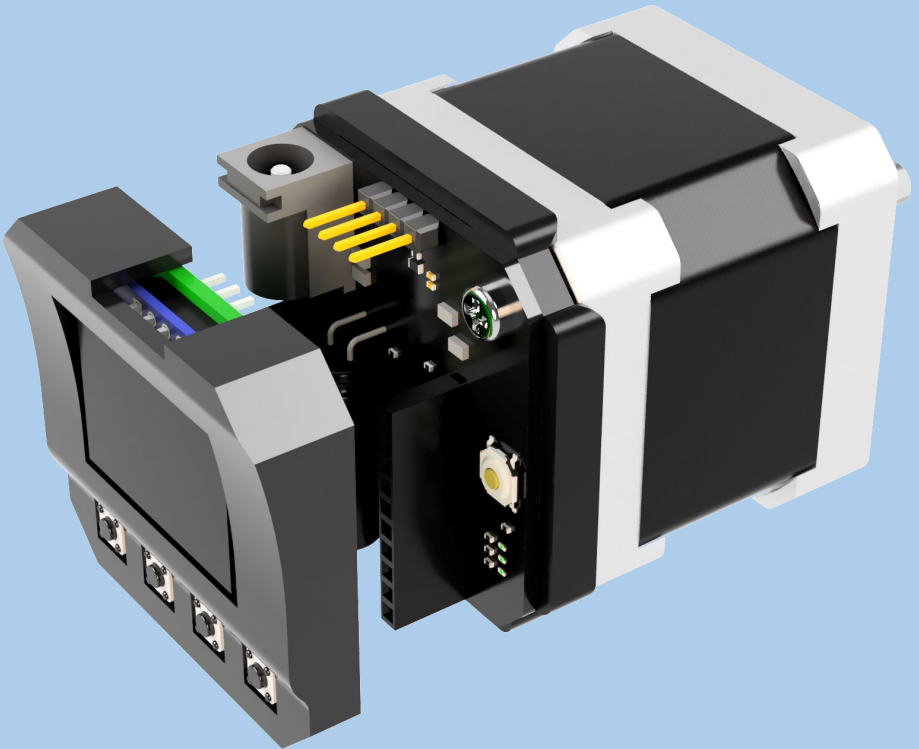


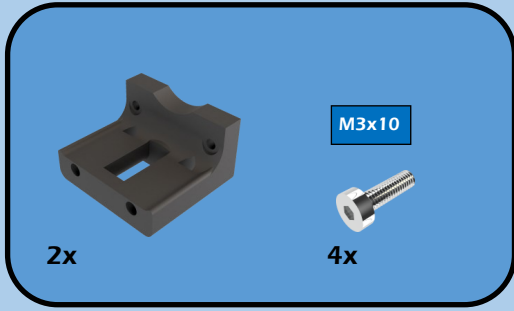
5



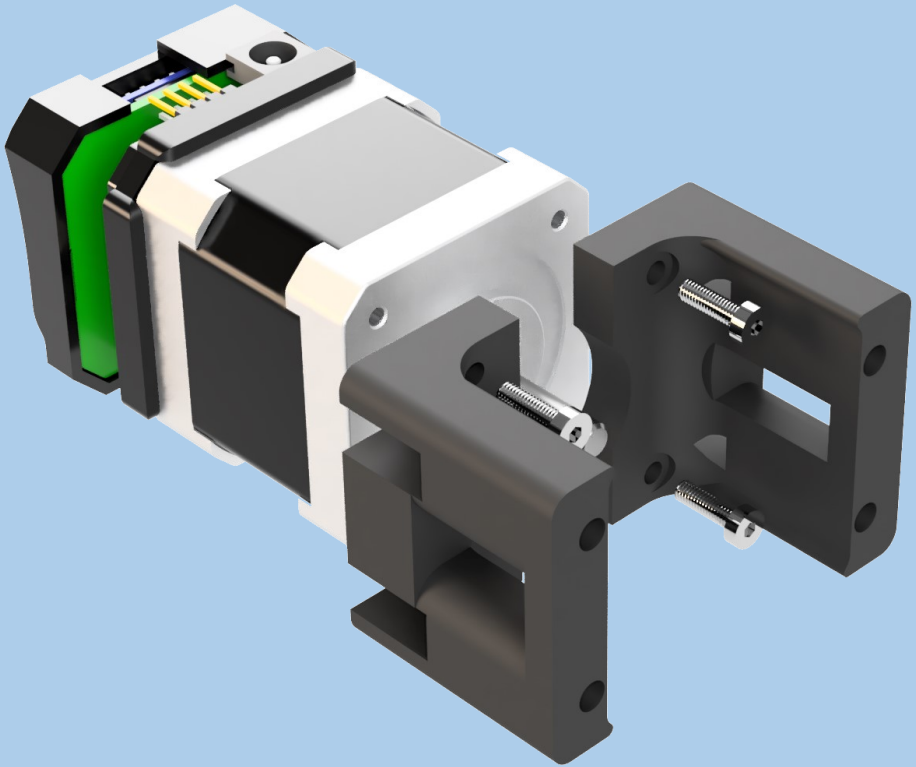


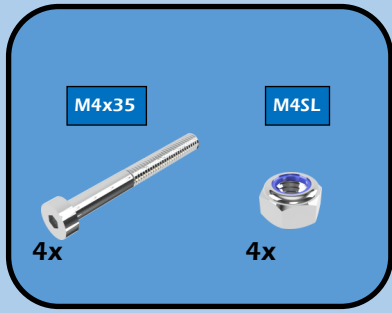
6



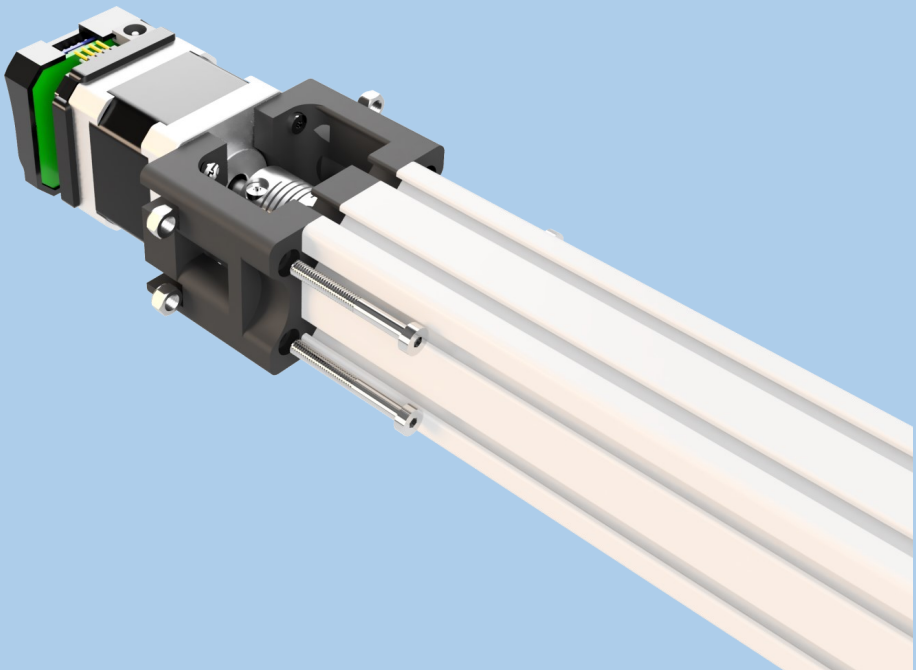


7

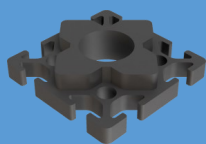




8

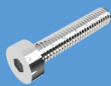


4



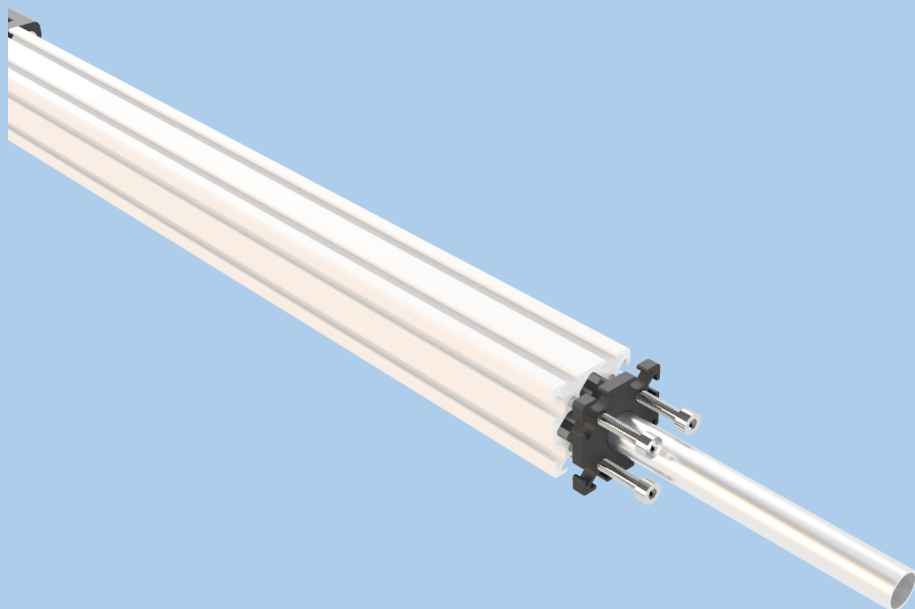
1x

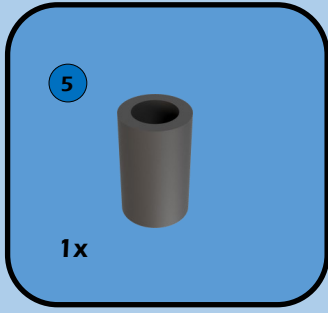
M5x20



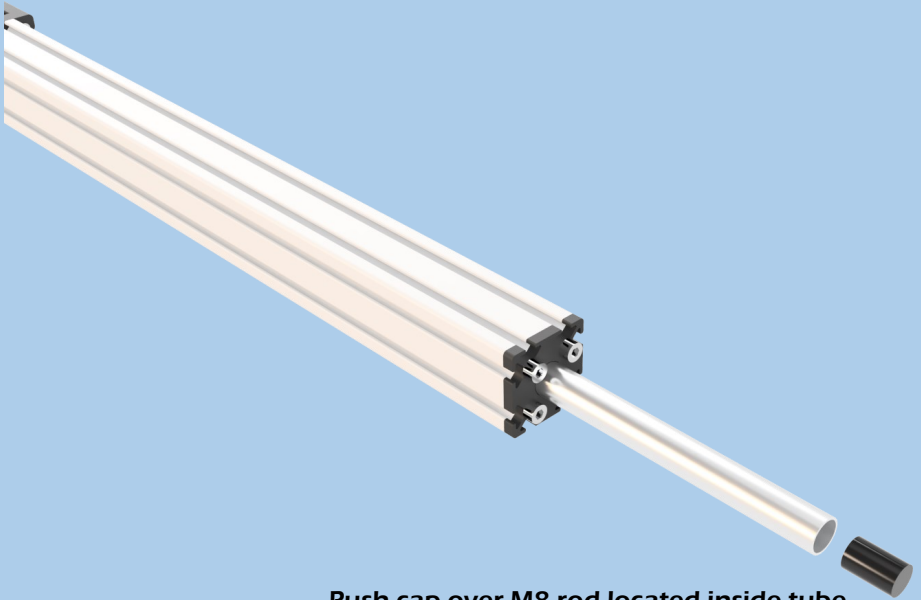
4x

9

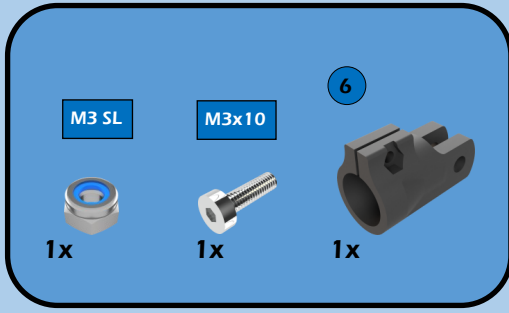




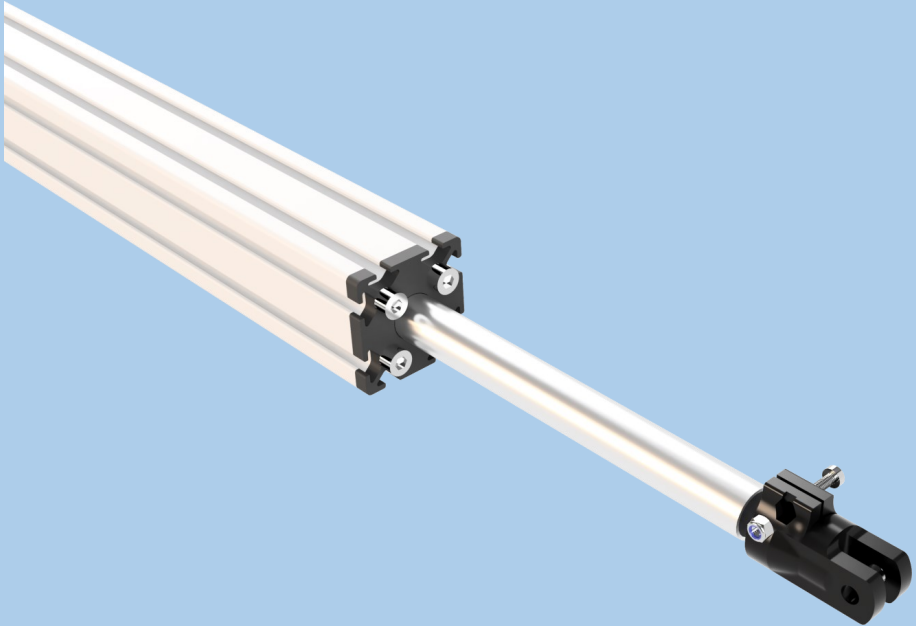
10



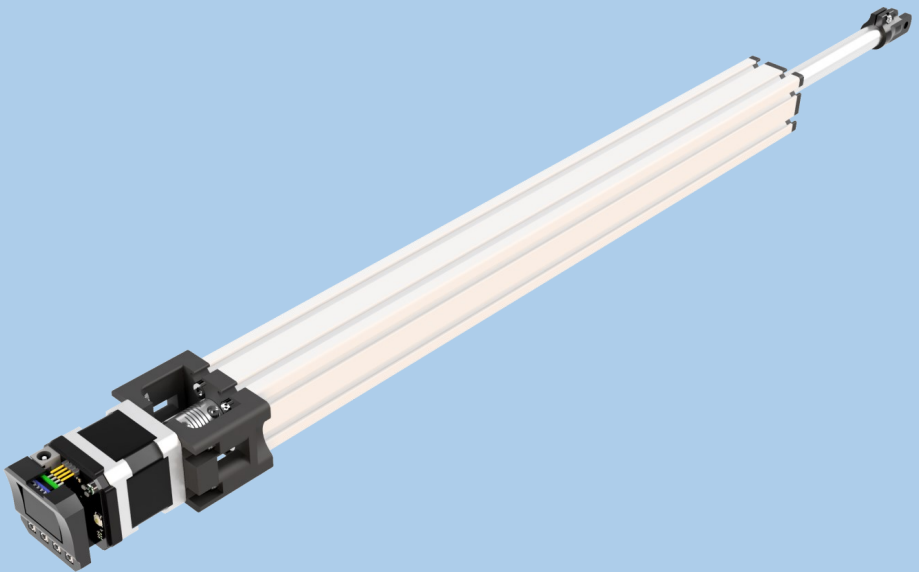
**Push cap over M8 rod located inside tube**



11



12





# Disclaimer

---

## 1 Disclaimers and Limitation of Liability

1.1 uStepper ApS and/or ON Development IVS (or any individuals affiliated with either of the two companies) can not be held responsible for any damage inflicted upon mounting or interfacing with uStepper products This also includes damage to stepper motors (both electrical and mechanical) or any other 3rd party hardware connected to or interfacing with any uStepper products. Most stepper motor cases are made of aluminum, and care must be taken when preparing the mountings for uStepper.

1.2 uStepper ApS and/or ON Development IVS (or any individuals affiliated with either of the two companies) can not be held responsible for any damage inflicted upon assembly of the uStepper Robot Arm. This includes damage to 3D printed parts, which must be considered to be of prototyping quality compared to injection moulded parts. Care must be taken while assembling 3D printed parts, and use of excessive force may lead to damage of the parts.

1.3 By using the uStepper products (including, but not limited to, hardware and software) you acknowledge that uStepper ApS and/or ON Development IVS (or any individuals affiliated with either of the two companies) can not be held responsible for any personal injuries and/or damage to any 3rd party hardware that may occur when using the uStepper products.

1.4 To the extent permitted by law, uStepper ApS and/or ON Development IVS will not be liable for any indirect or consequential loss or damage, of any kind, (including without limitation loss of business, opportunity, data, profits) arising out of or in connection with the use of any products (including, but not limited to, hardware and software), developed, produced or sold by uStepper ApS and/or ON Development IVS (or any individuals affiliated with either of the two companies).

1.5 Nothing in these Terms and Conditions shall be construed so as to hold uStepper ApS and/or ON Development IVS liable for death or personal injury as a result of the negligence of uStepper ApS and/or ON Development IVS or that of its employees or agents.

## 2 Indemnity

2.1 You agree to indemnify and hold uStepper ApS and/or ON Development IVS and its employees and agents harmless from and against all liabilities, legal fees, damages, losses, costs and other expenses in relation to any claims or actions brought against uStepper ApS and/or ON Development IVS arising out of any breach by you of these Terms and Conditions or other liabilities arising out of your use of this Website.

2.2 You agree to indemnify and hold uStepper ApS and/or ON Development IVS and its employees and agents harmless from and against all liabilities, legal fees, damages, losses, costs and other expenses in relation to any claims or actions brought against uStepper ApS and/or ON Development IVS arising out of any breach by you of these Terms and Conditions or other liabilities arising out of your use of products(including, but not limited to, hardware and software) developed, produced or sold by uStepper ApS and/or ON Development IVS (or any individuals affiliated with either of the two companies).

## 3 Severance

If any of these Terms and Conditions should be determined to be invalid, illegal or unenforceable for any reason by any court of competent jurisdiction then such Term or Condition shall be severed and the remaining Terms and Conditions shall survive and remain in full force and effect and continue to be binding and enforceable.

