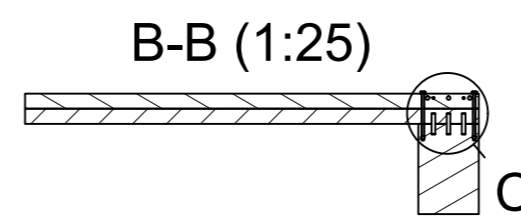
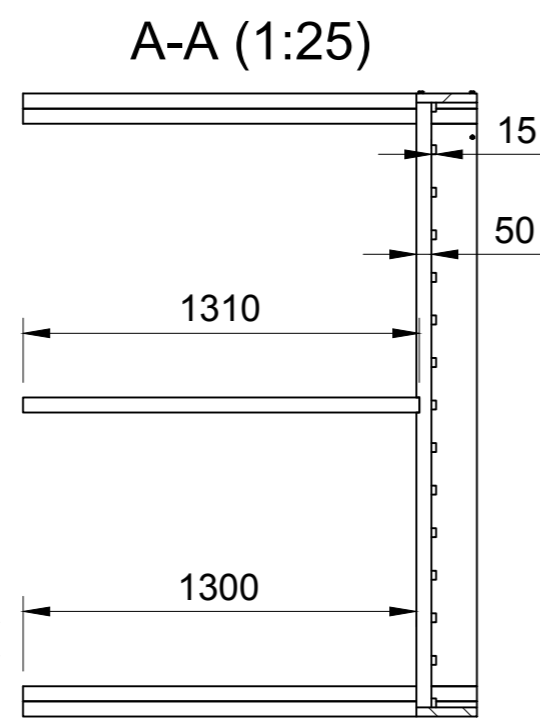
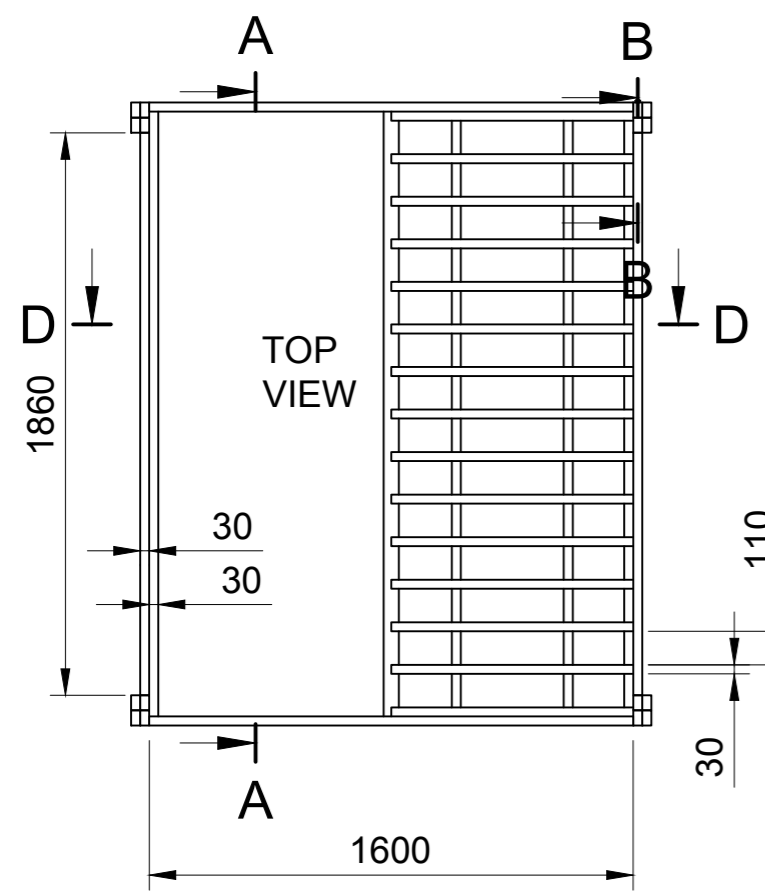
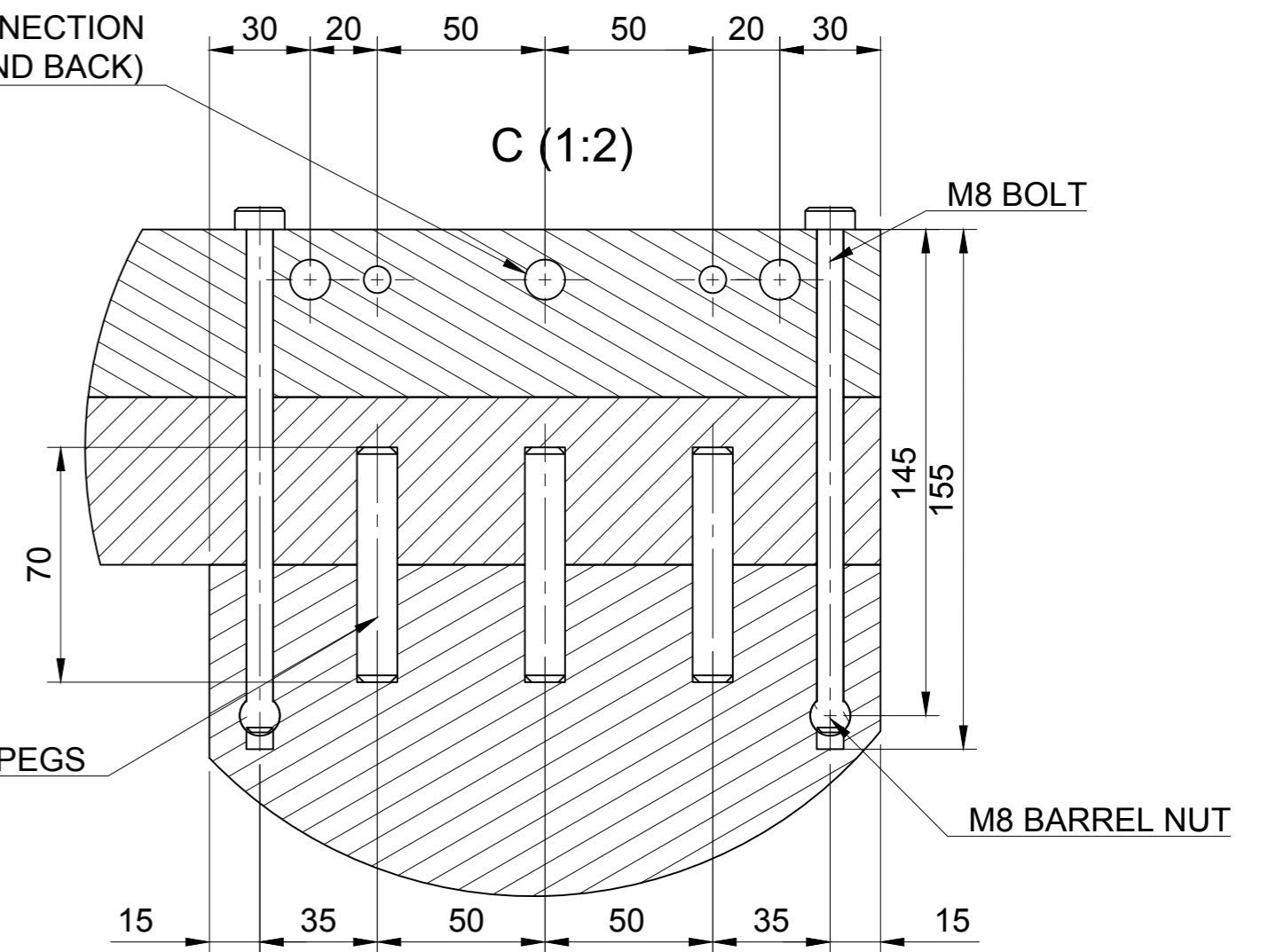
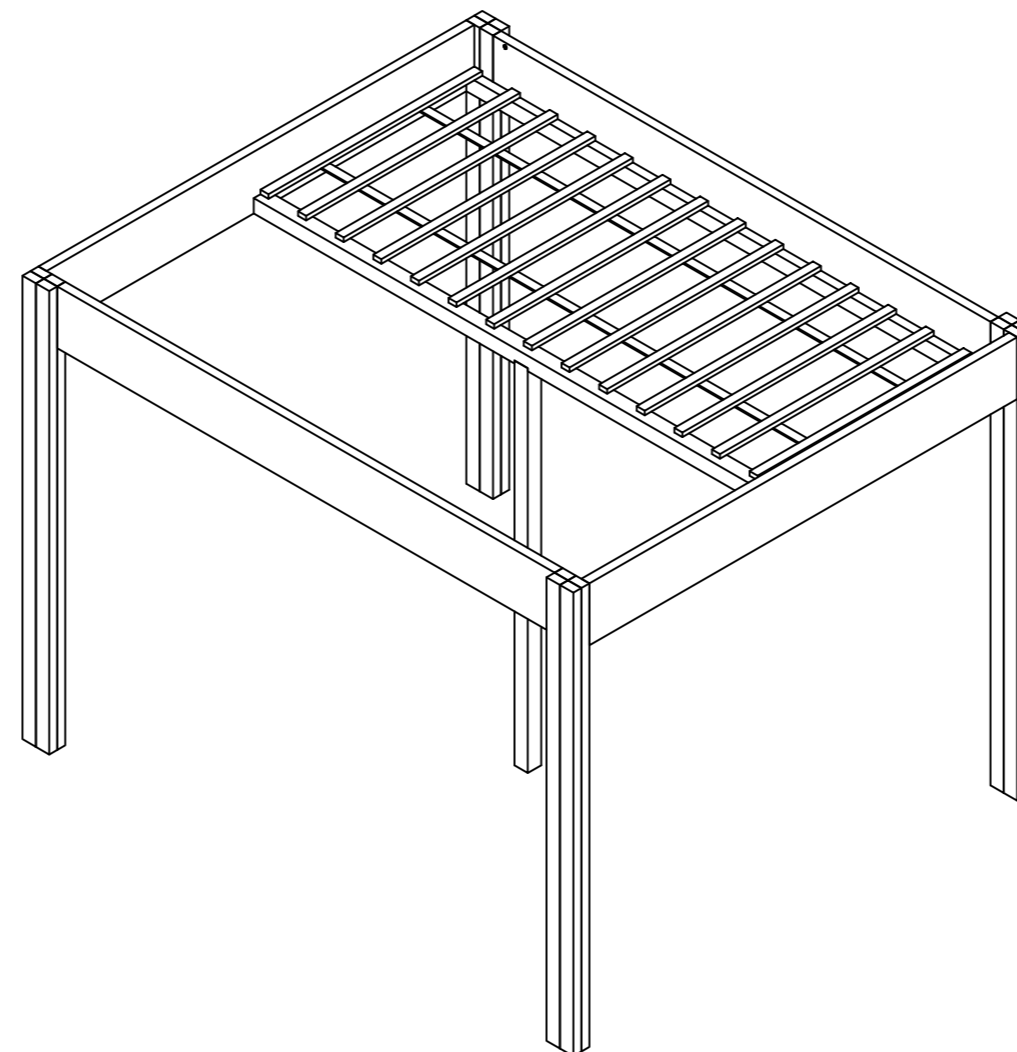
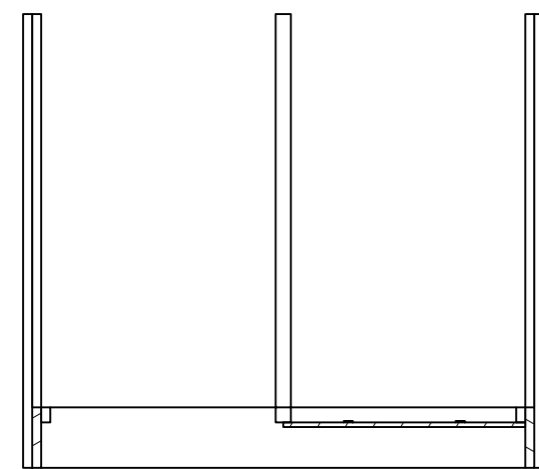


HOLE PATTERN FOR CONNECTION TO SHORT BOARDS (FRONT AND BACK)



D-D (1:25)



Dept.	Technical reference MM	Created by Jindrich Sykora 28/03/2021	Approved by
		Document type	Document status
		Title Loft Bed	DWG No.
		Rev.	Date of issue
		Sheet	1/1