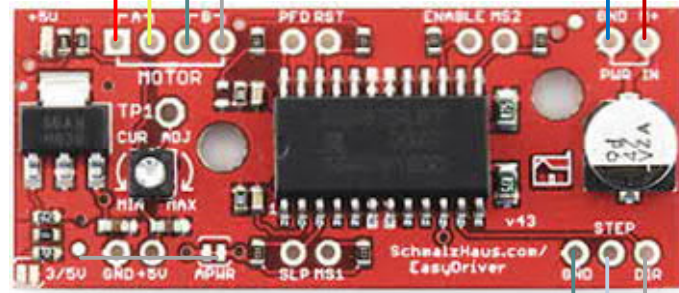
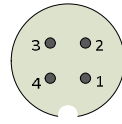
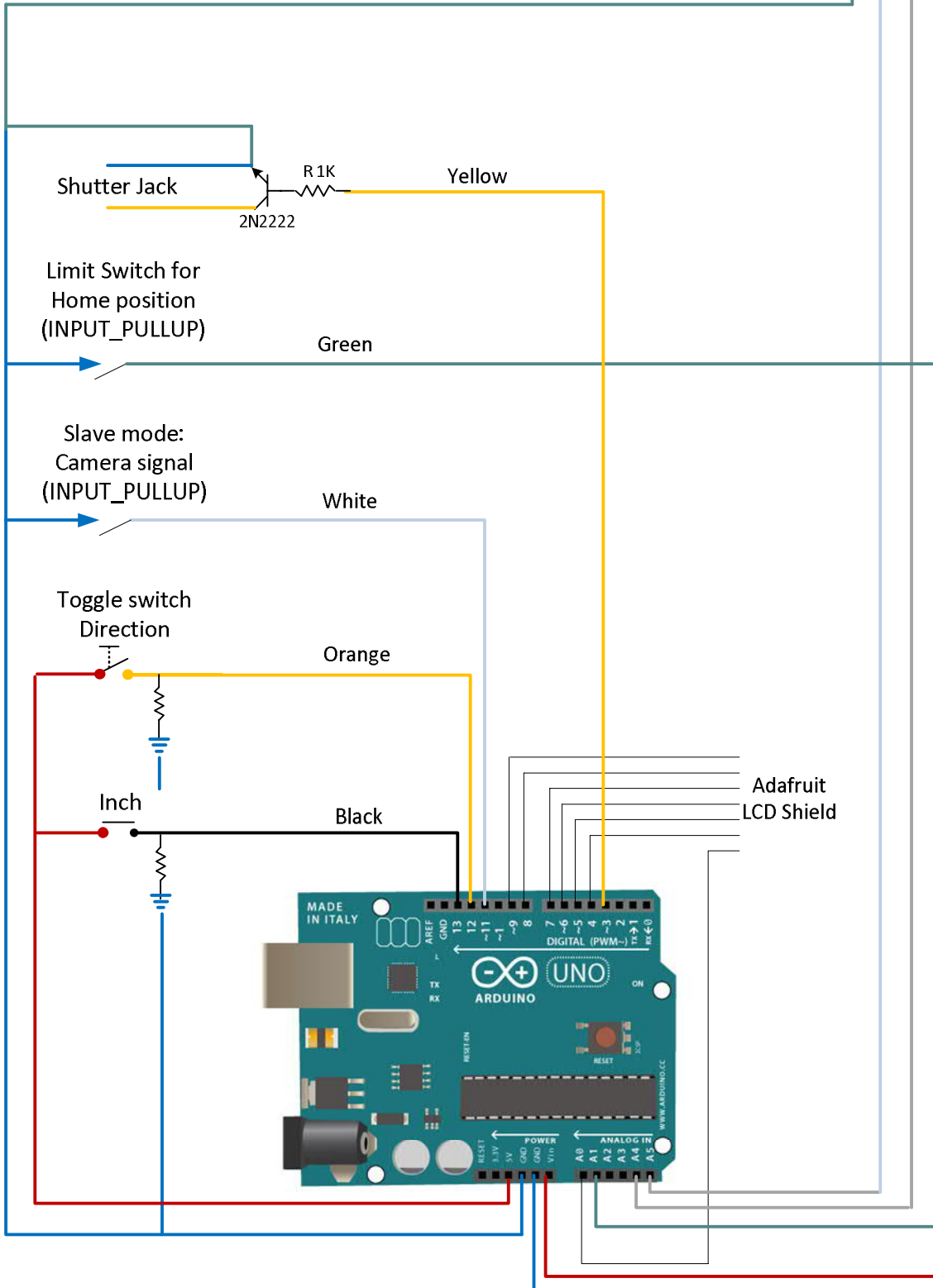


Rail with Belt



12 - 30 v



```
#define SHUT_PIN 3
#define LIMIT_PIN 10
#define SLAVE_PIN 11
#define TOGG_PIN 12
#define INCH_PIN 13

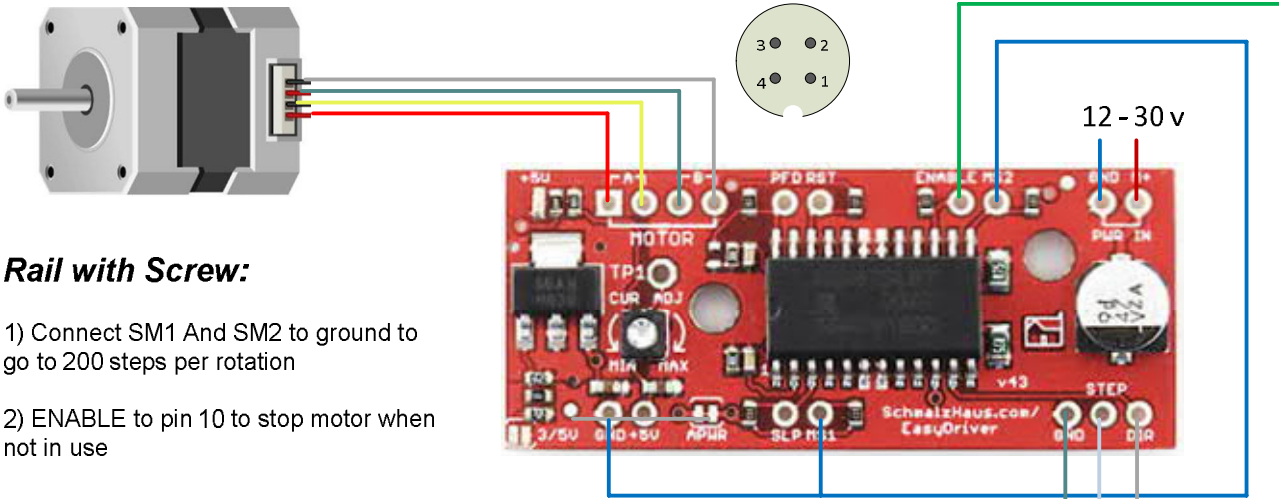
#define DIR_PIN A4
#define STEP_PIN A5
```

Note: Sleep pin ON disengage motor (Turn Freely!)

12 - 30 v

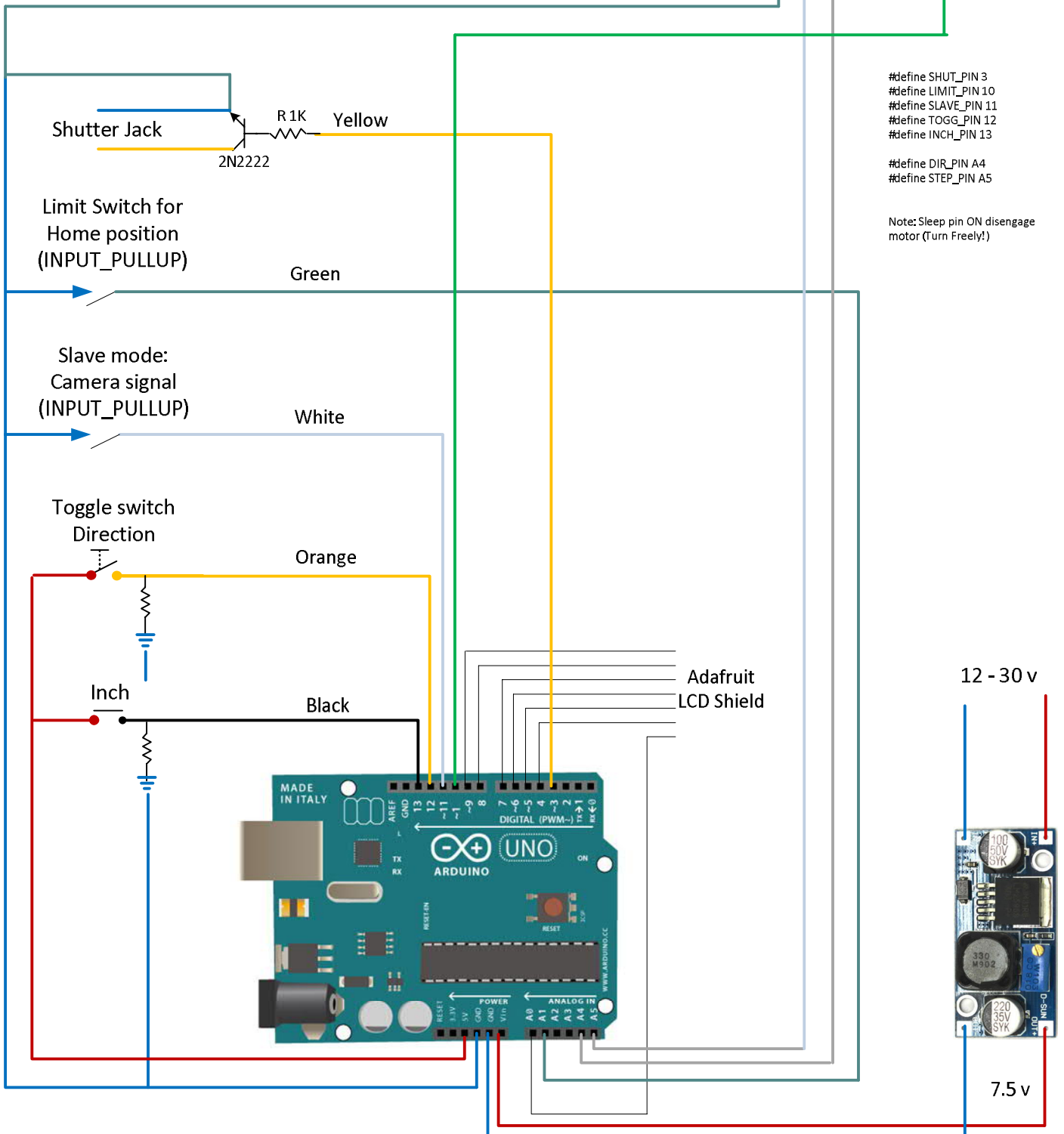


7.5 v



Rail with Screw:

- 1) Connect SM1 And SM2 to ground to go to 200 steps per rotation
- 2) ENABLE to pin 10 to stop motor when not in use



```
#define SHUT_PIN 3
#define LIMIT_PIN 10
#define SLAVE_PIN 11
#define TOGG_PIN 12
#define INCH_PIN 13
```

```
#define DIR_PIN A4
#define STEP_PIN A5
```

Note: Sleep pin ON disengage motor (Turn Freely!)